

Push Button Switch

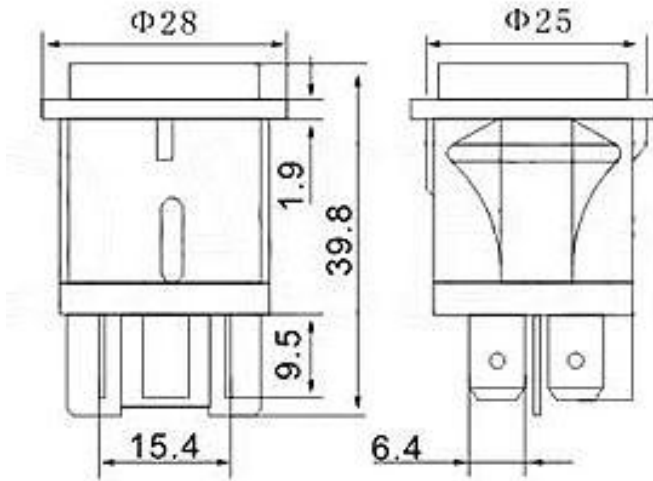
Q-9817

SPECIFICATIONS

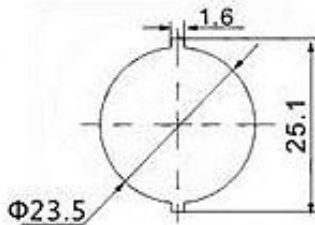
TYPE: **PBS-06L** [PS18-16]

Rating: 3A 250V AC
Contact R: 35mΩ max
Insulation R: 500V DC 100MΩ min
Dielectric Strength: 1 Minute 1000V AC
Operating Temperature: -25°C ~ +85°C
Electrical Life: 10, 000 Cycles

Outline Drawing



Mounting



Circuitry

