

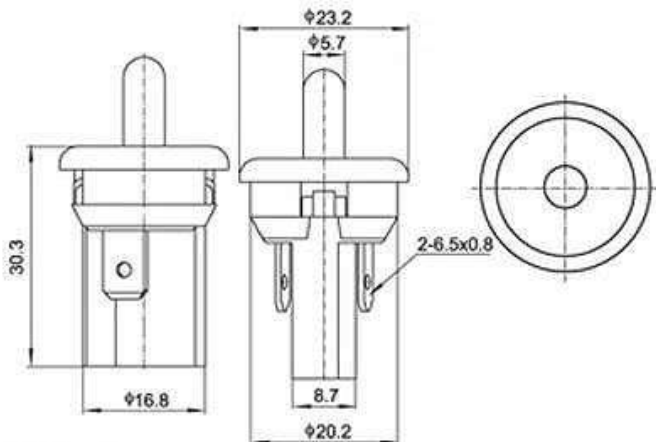
**Q-9808**

TYPE: **PBS-05C**

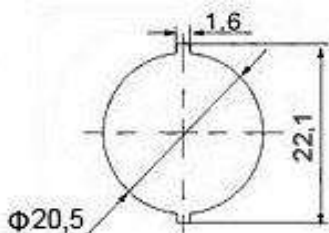
### SPECIFICATIONS

Rating: 2,5A 250V AC  
Contact R: 35mΩ max  
Insulation R: 500V DC 100MΩ min  
Dielectric Strength: 1 Minute 1000V AC  
Operating Temperature: -25°C ~ +85°C  
Electrical Life: 10, 000 Cycles

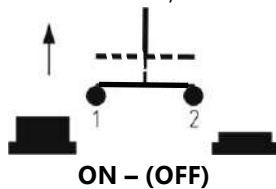
Outline Drawing



Mounting



Circuitry



(NC)=Вкл-(Выкл)=ON-(OFF)=(SPST-NC)