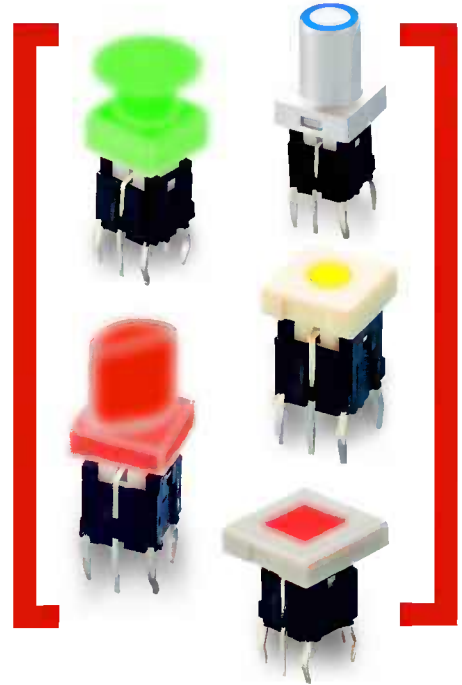


» Features

- Contact Reliability Clip type contacts are applied to ensure high reliability.
- For PC Board Terminals are all IC pitched (multiple of 2.54mm). By a particular terminal shape, the switch tightly when solder-dipped.
- Protection from Flux Entry Terminals are all completely sealed by epoxy.
- Many LED lights are available.

» Applications

- Operating switches in all types of electronic equipment such as audio apparatus, office equipment, communications apparatus, TV sets, VCRs, etc.

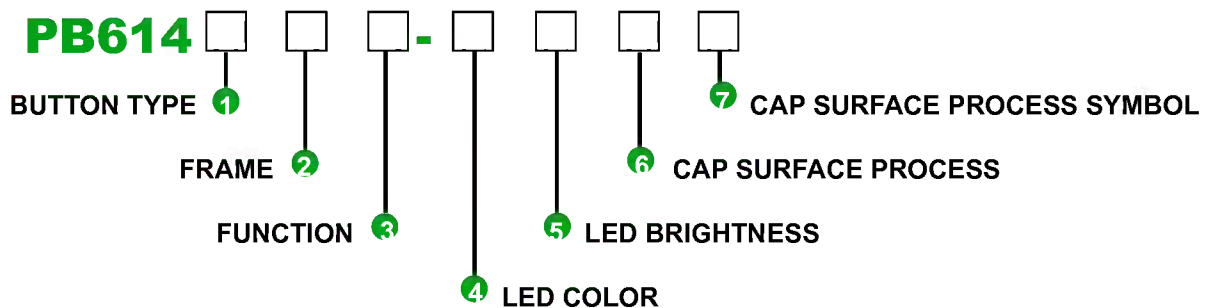


» Specifications

| | |
|-----------------------|---------------------------------|
| Rating | 50mA 12VDC |
| Insulation Resistance | 100MΩ Min (af 500 VDC) |
| Dielectric Strength | AC 250V (50/60 Hz for 1 minute) |
| Contact Resistance | 100mΩ Max. (Initial) |
| Electrically Life | 300,000 Cycles Min |
| Ambient Temperature | -20°C~ +70°C |
| Operating Force | 160 ± 50gf |
| Travel | 0.25 ± 0.1 mm |



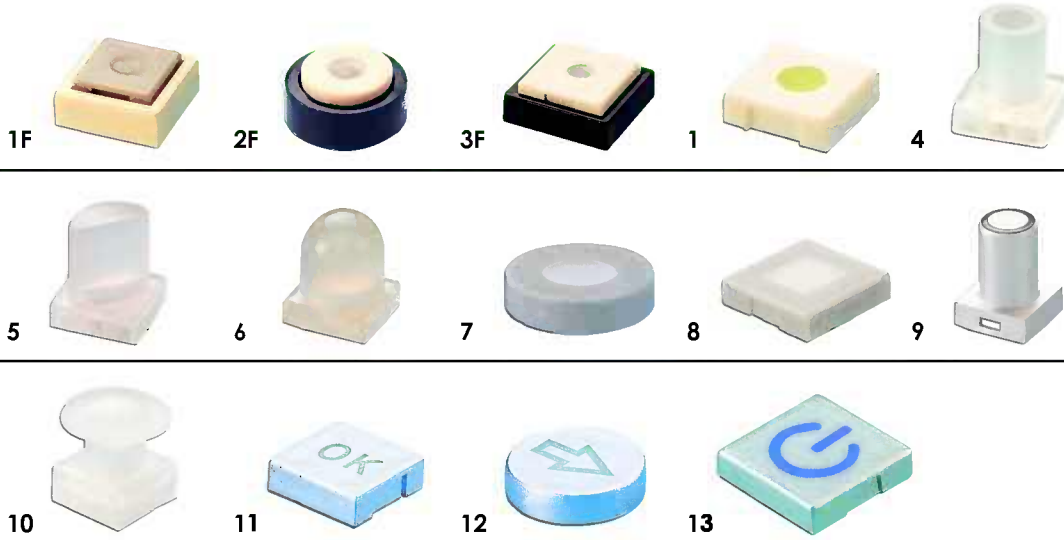
» Product selection



ILLUMINATED

TACT SWITCHES

1 BUTTON TYPE



2 FRAME

| | |
|---|------------|
| _ | Without |
| F | With frame |

3 FUNCTION

| Non-illuminated | | Illuminated | |
|-----------------|---------------|-------------|---------------|
| _ | Standard type | L | Standard type |
| M | SMT type | ML | SMT type |

4 LED COLOR

| | |
|----|---------------|
| 1 | Red |
| 2 | Yellow |
| 3 | Green |
| 4 | Blue |
| 5 | White |
| 6 | Pure Green |
| 12 | Red / Yellow |
| 13 | Red / Green |
| 23 | Yellow/ Green |

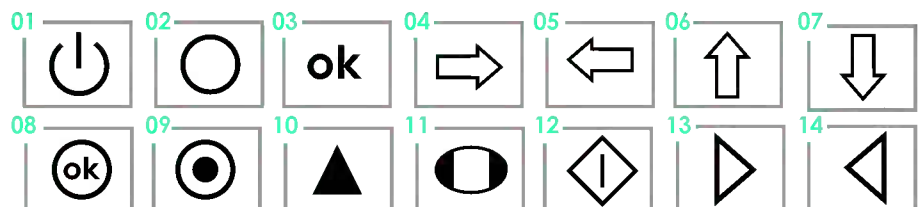
5 LED BRIGHTNESS

| | |
|---|---------------|
| _ | Standard |
| C | Customization |

6 CAP SURFACE PROCESS PLATED TYPE

| | |
|---|---------------|
| 1 | Misty Silver |
| 2 | Bright Silver |
| 3 | Gold |

7 CAP SURFACE PROCESS SYMBOL



» LED Specifications

| Color | VR | IF | Recommended Operating Current | VF | |
|--------|-------|------|-------------------------------|------|------|
| | | | | Nom | Max |
| Red | DC 5V | 20mA | 20mA | 1.7V | 2.4V |
| Green | DC 5V | 20mA | 20mA | 1.9V | 2.4V |
| Yellow | DC 5V | 20mA | 20mA | 1.9V | 2.4V |
| Blue | DC 5V | 20mA | 20mA | 3.0V | 3.6V |
| White | DC 5V | 20mA | 20mA | 3.0V | 3.6V |

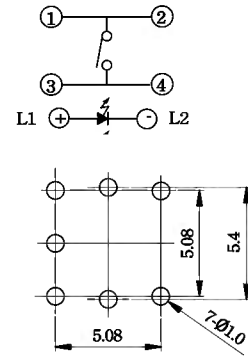
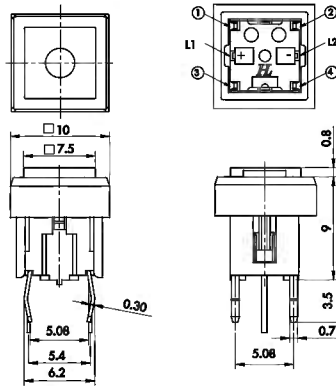
» Operating characteristics

Unit: mm

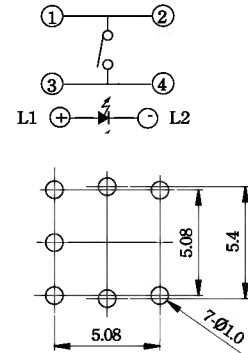
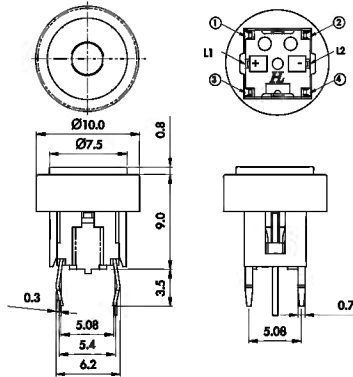
Dimensions

Circuit P.C.B Layout

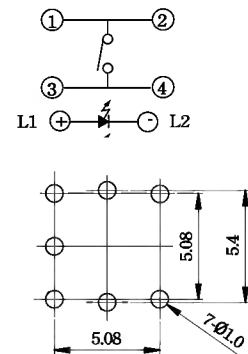
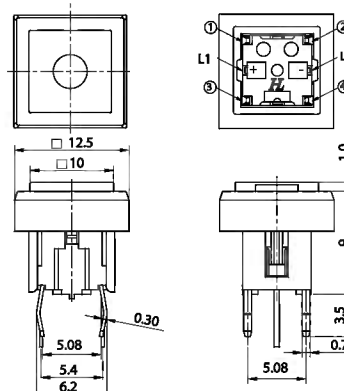
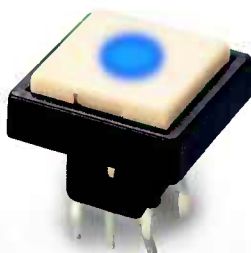
PB6141FL



PB6142FL



PB6143FL



ILLUMINATED

TACT SWITCHES

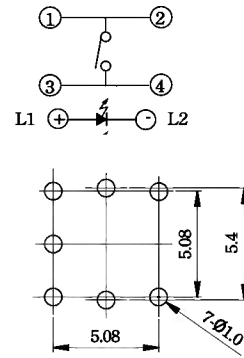
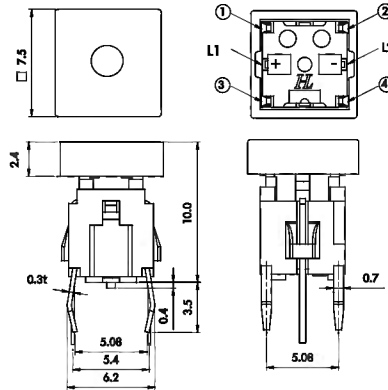
» Operating characteristics

Unit: mm

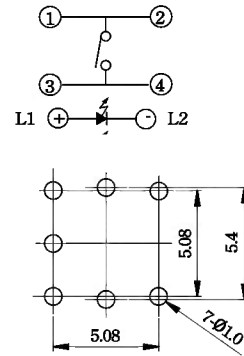
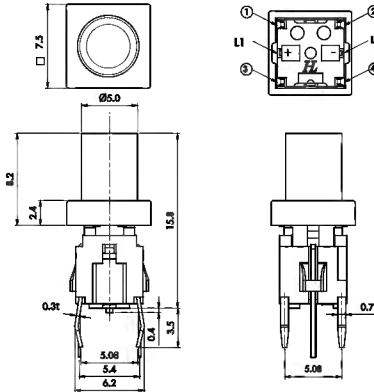
Dimensions

Circuit P.C.B Layout

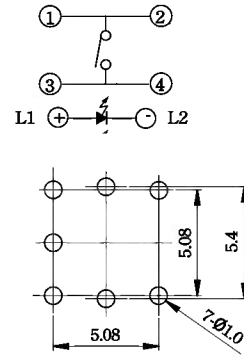
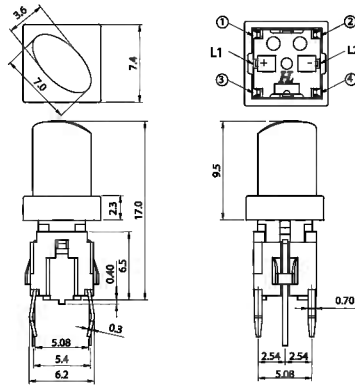
PB6141L



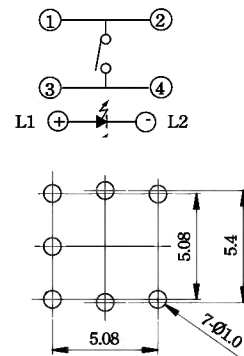
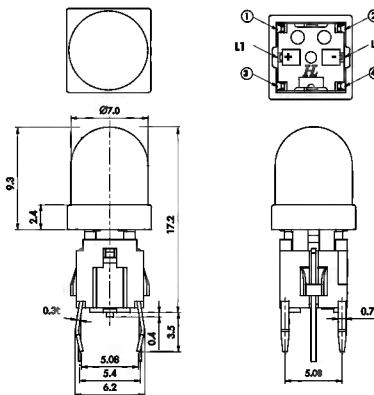
PB6144L



PB6145L



PB6146L



ILLUMINATED

TACT SWITCHES

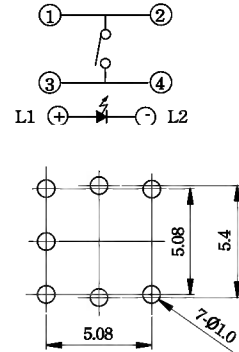
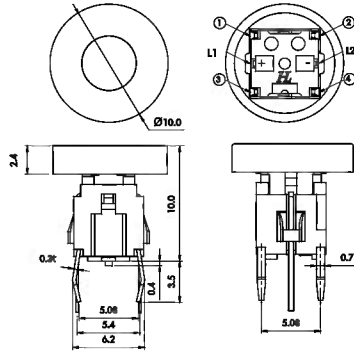
» Operating characteristics

Unit: mm

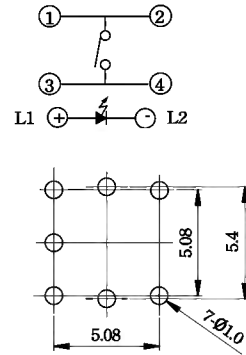
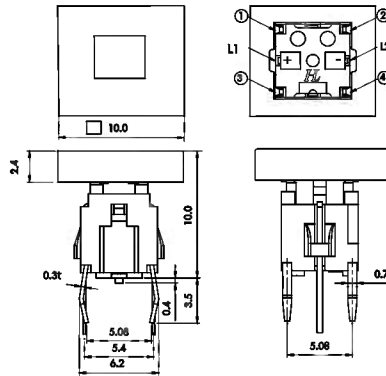
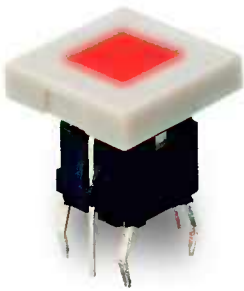
Dimensions

Circuit P.C.B Layout

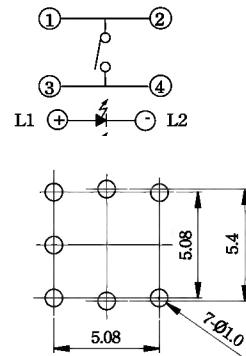
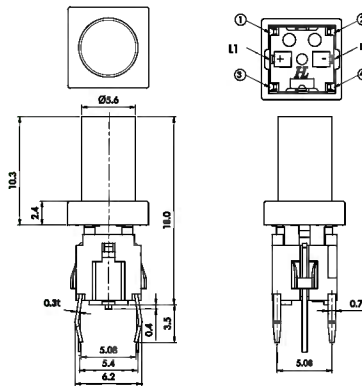
PB6147L



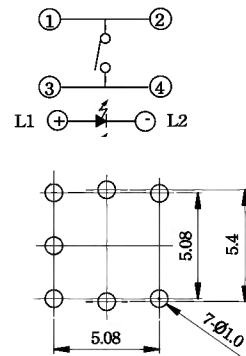
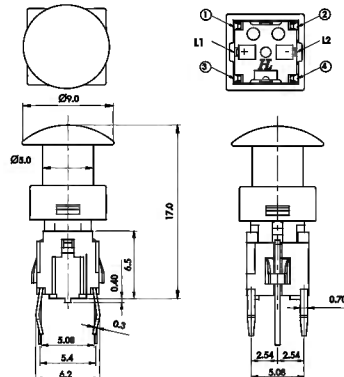
PB6148L



PB6149L-□-102



PB61410L



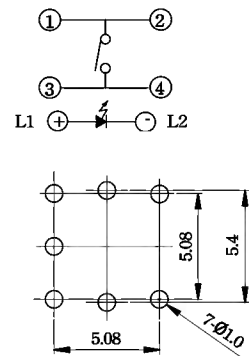
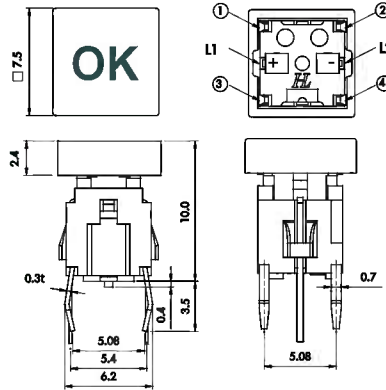
» Operating characteristics

Unit: mm

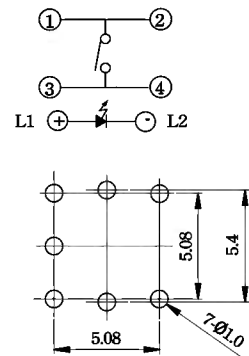
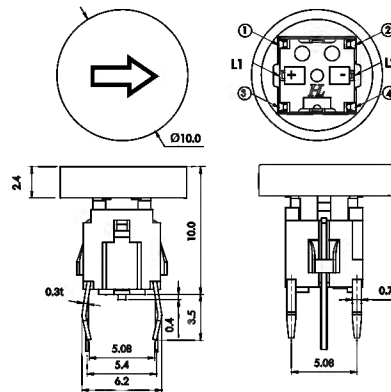
Dimensions

Circuit P.C.B Layout

PB61411L-□-103



PB61412L-□-104



PB61413L-□-101

