

Illuminated Tactile Switch

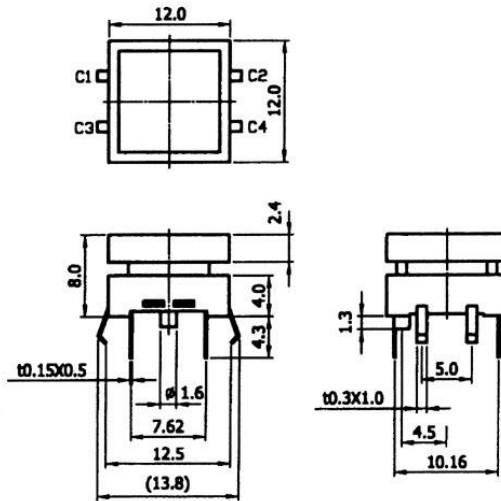
Q-9234

TYPE: **SPL12**

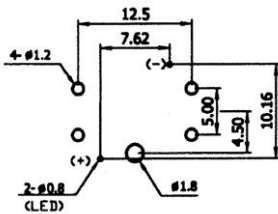
SPECIFICATIONS

Rating: 50mA 12V DC
 Contact R: 100mΩ max
 Insulation R: 500V DC 100MΩ min
 Dielectric Strength: 1 Minute 1000V AC
 Operating Temperature: -25°C ~ +60°C
 Electrical Life: 5,000, 000 Cycles
 Operating Force: 300gf±50gf

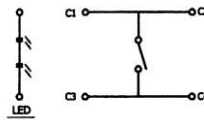
Outline Drawing



Mounting



Circuitry



OFF - (ON)
(LED)