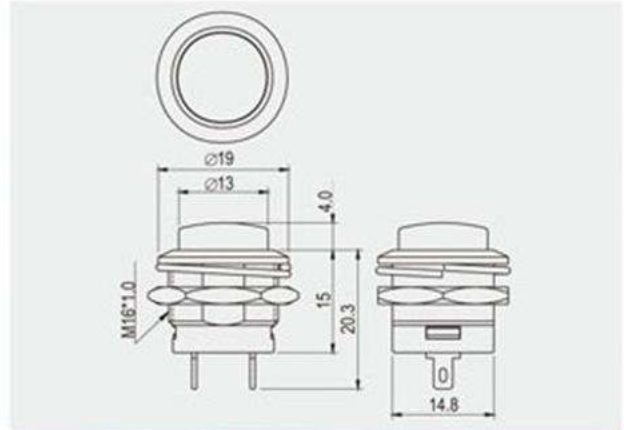


ПЕРЕКЛЮЧАТЕЛЬ КНОПОЧНЫЙ СЕРИИ R13-507

OFF-(ON)



FEATURES

- * MATERIAL: Frame is nylon glass fiber(UL flame: 94HB), Actuator is ABS. Terminals are silver plated brass. Base is PBT.
- * M type are metal frames, nickel plated brass.
- * Mounted by nut.

R13-507 ■ ■ - ■ ■

BODY		FUNCTION	TERMINAL
■ Plastic Body	■ M Metal Body	A 	0 5 SO

* () =momentary



Rating
6A 125V AC 3A 250V AC
Contact resistance
50mΩ Max
Insulation resistance
DC 500V 100MΩ Min
Dielectric strength
AC 1000V 1 minute
Cut-out

