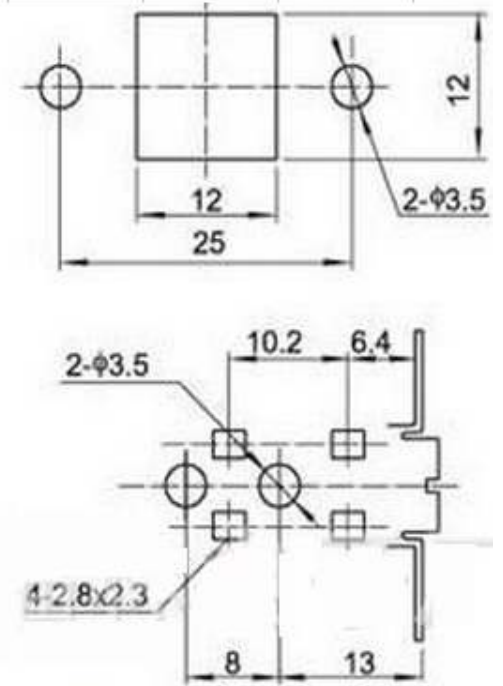
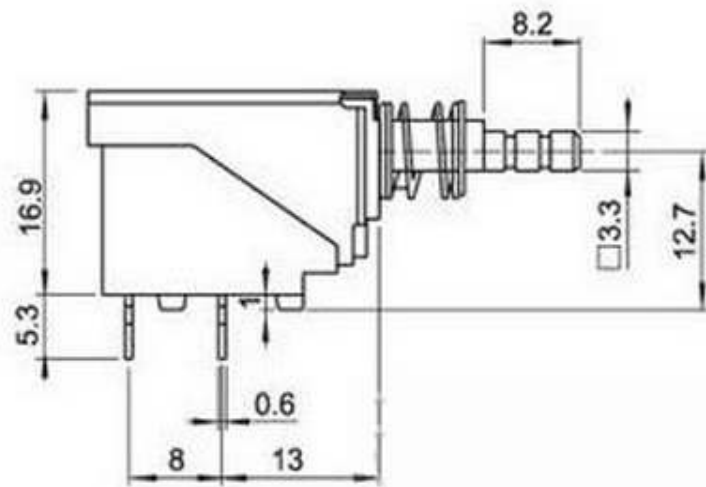
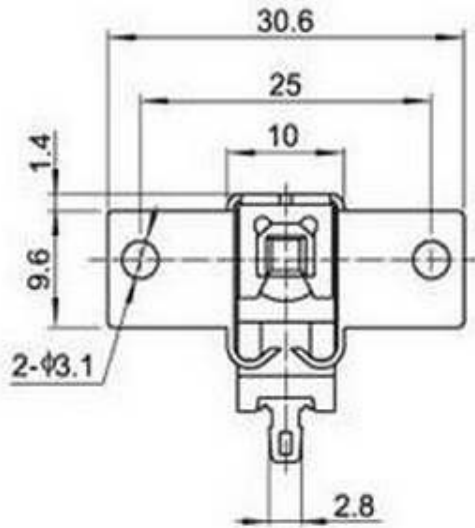
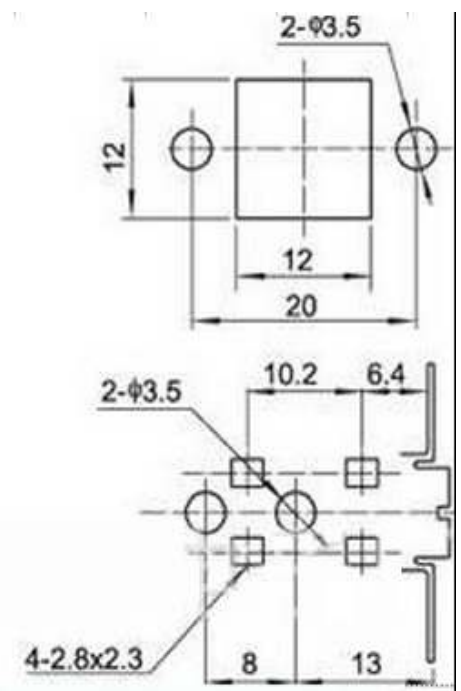
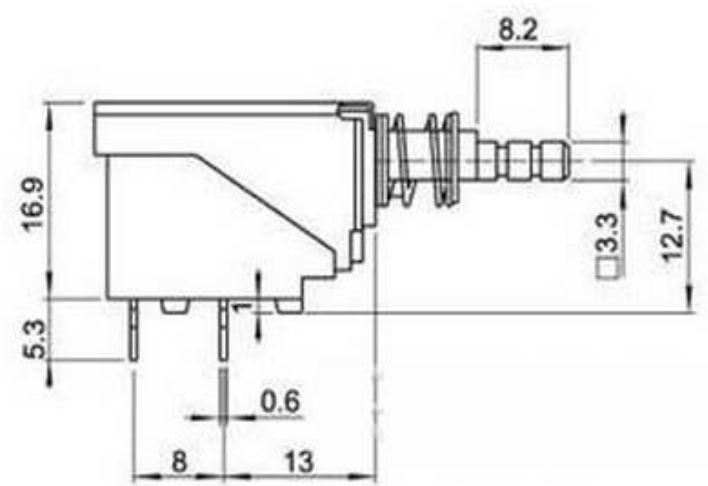
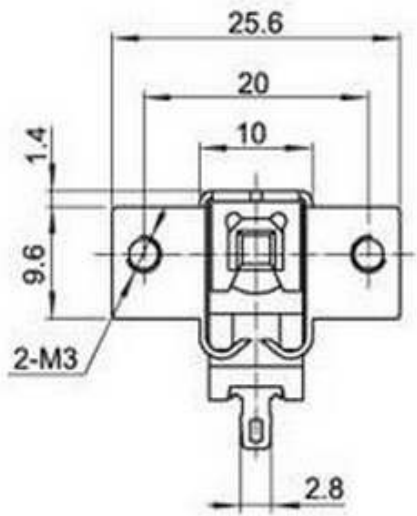


SW-3-20T

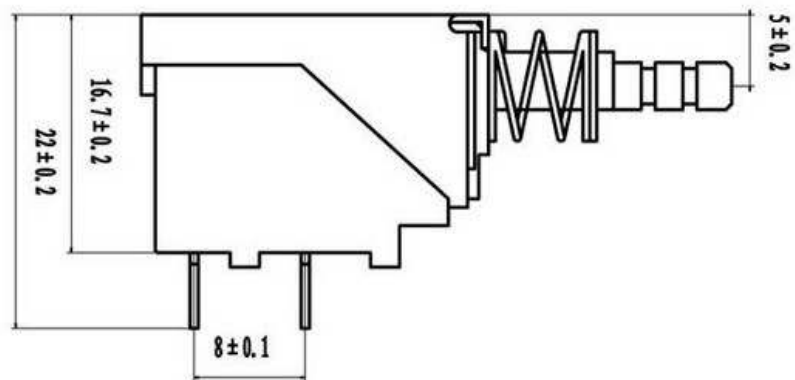
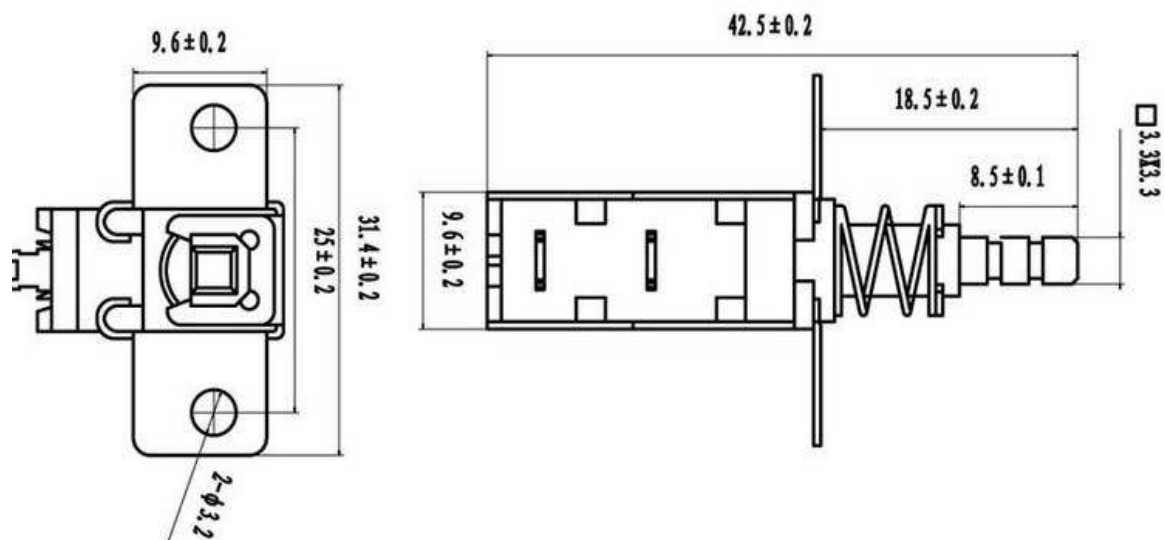


SW-3-20H

SW-3-20M



9w-3-25T



Temperature	$-25\sim+85^{\circ}\text{C}\leq 95\%(40^{\circ}\text{C})$	Withstand voltage	AC1500W terminal to terminal,
Contact resistance	$\leq 0.03\Omega$	Actuating Force	2-8N
insulatoin resistance	$\geq 100\text{M}\Omega$	Life	10000

Note:

1. Rated load(AC 250V) 2A/8A. 4A/32A . 5A/80A. 8A/128A
- 2.The spacing between the mounting holes is set according to the requirment of the customers.
- 3.The are 2 tyeps of mounting hole: unthreaded and threaded.
- 4:The leading-out terminal is either and insert-in type or a welding type