

Micro Switch

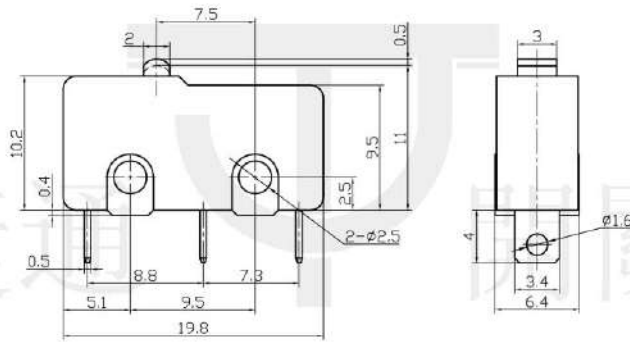
Q-9001

TYPE: **MSW-11B**

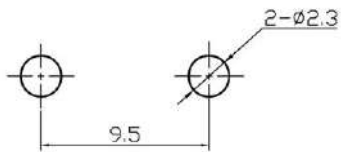
SPECIFICATIONS

Rating: 3A 125/250V AC
Contact R: 30mΩ max
Insulation R: 500V DC 100MΩ min
Dielectric Strength: 1 Minute 1500V AC
Operating Temperature: -25°C ~ +80°C
Electrical Life: 100,000 Cycles

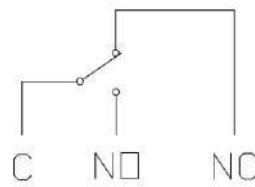
Outline Drawing



Mounting



Circuitry



(SPDT)=Вкл-(Вкл)=ON-(ON)=ON-(OFF)/OFF-(ON)