

# Tact Switch

**Q-2849**

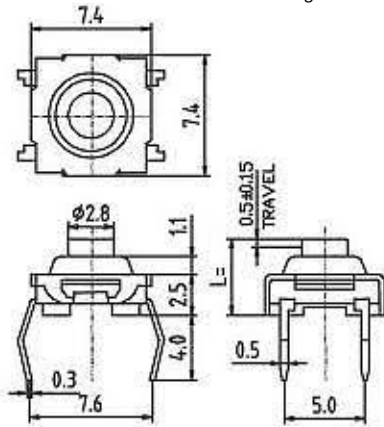
TYPE: **TH7.4x7.4**

**Waterproof**

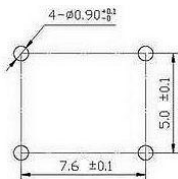
## SPECIFICATIONS

Contact Type	SPST
Rating	DC 12V, 50mA
Travel	0,5±0,10mm
Contacts Resistance	100mΩ Max
Insulation Resistance	100MΩ Min
Minimum Load	DC 100V
Dielectric Strengths	AC 250V / 1 minute
Life Test	100 000 Cycles Min
Operating temperature range	-30°C to +85°C
Operating Force	130 ± 50gf

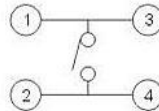
Outline Drawing



Mounting



L=7,0mm  
Circuitry



**OFF - (ON)**