

## Push-Button Switch

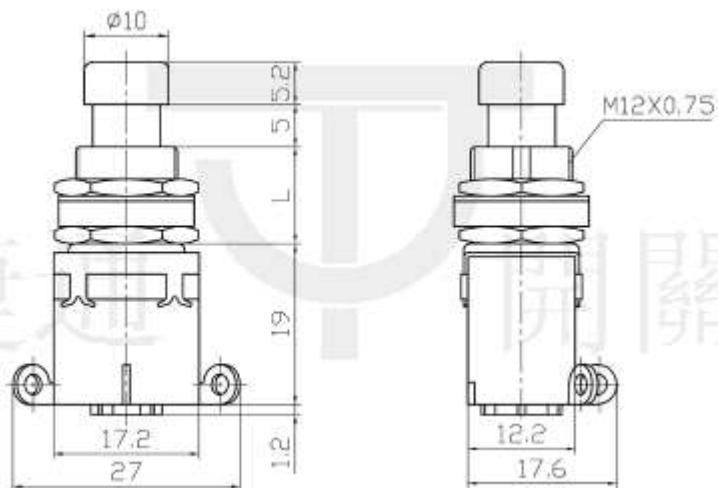
**Q-2663**

TYPE: **PBS-24-102**

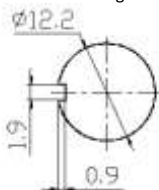
### SPECIFICATIONS

Rating: 4A 125V AC; 2A 250V AC  
 Contact R: 20mΩ max  
 Insulation R: 500V DC 100MΩ min  
 Dielectric Strength: 1 Minute 1000V AC  
 Operating Temperature: -25°C ~ +85°C  
 Electrical Life: 10, 000 Cycles  
 L= 14.2; 11.8; 9.8

Outline Drawing



Mounting



Circuitry

