

Tact Switch

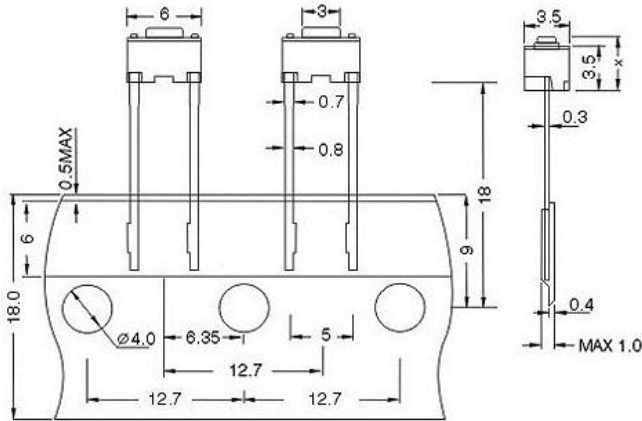
Q-2512

TYPE: **TC-312x**

SPECIFICATIONS

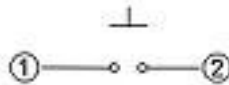
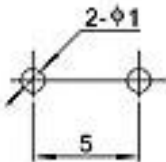
Contact Type	SPST
Rating	DC 12V, 50mA
Travel	0,25±0,10mm
Contacts Resistance	100mΩ Max
Insulation Resistance	100MΩ Min
Minimum Load	DC 100V
Dielectric Strengths	AC 250V / 1 minute
Life Test	100 000 Cycles Min
Operating temperature range	-20°C to +70°C
Operating Force	160 ± 50gf

Outline Drawing



Mounting

X=4,3; 5,0; 8,0mm
Circuitry



OFF - (ON)