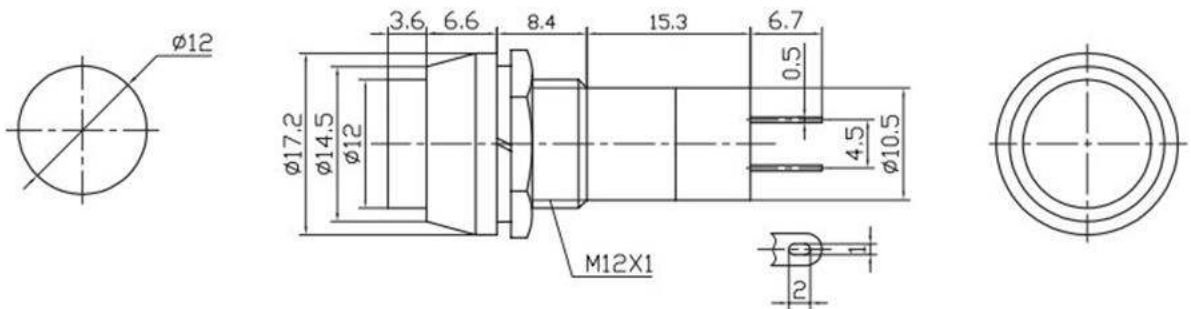


ПЕРЕКЛЮЧАТЕЛЬ КНОПОЧНЫЙ СЕРИИ PBS-11B

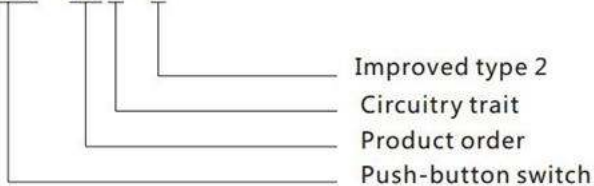
OFF-(ON)



2

Ordering Information

PBS-10B-2



Specification

1. Rating: 3A 250VAC
2. Contact Resistance: 20mΩ max
3. Insulation Resistance: 500VDC 100MΩ min
4. Dielectric Strength: 1000VAC, 1Minute
5. Operating Temperature: -25°C ~ +85°C
6. Electrical Life: 50,000 Cycles

Circuitry trait

A	ON - OFF	Push on/Push off	With lock
B	(ON) - OFF	Push on	Momentary(Open type)
C	ON - (OFF)	Push off	Momentary(Close type)
(): Indicates Momentary			