

Rocker Switch

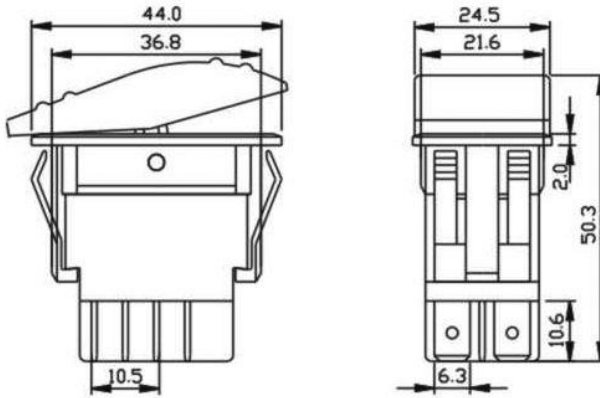
Q-2024

TYPE: RK1-06A
Rocker

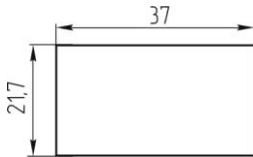
SPECIFICATIONS

Rating: 16A 250V AC
Contact R: 100mΩ max
Insulation R: 500V DC 100MΩ min
Dielectric Strength: 1 Minute 1500V AC
Operating Temperature: -25°C ~ +85°C
Electrical Life: 10, 000 Cycles

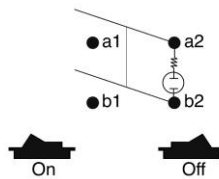
Outline Drawing



Mounting



Circuitry



4P DPST
(Illuminated)