

PUSH SWITCH

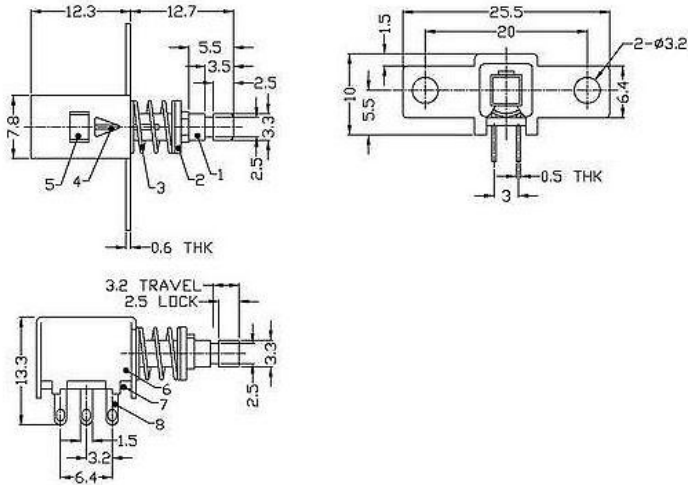
Q-1879

TYPE: **SD-4009**

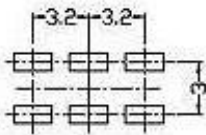
SPECIFICATIONS

Contact Type	DPDT
Rating	DC 50V, 0,3A
Contacts Resistance	30mΩ Max
Insulation Resistance	100MΩ Min
Minimum Load	DC 500V
Dielectric Strengths	AC 500V / 1 minute
Life Test	10 000 cycles/ minute
Operating temperature range	-16°C to +60°C

Outline Drawing



Mounting



Circuitry

