

Push Button Switch

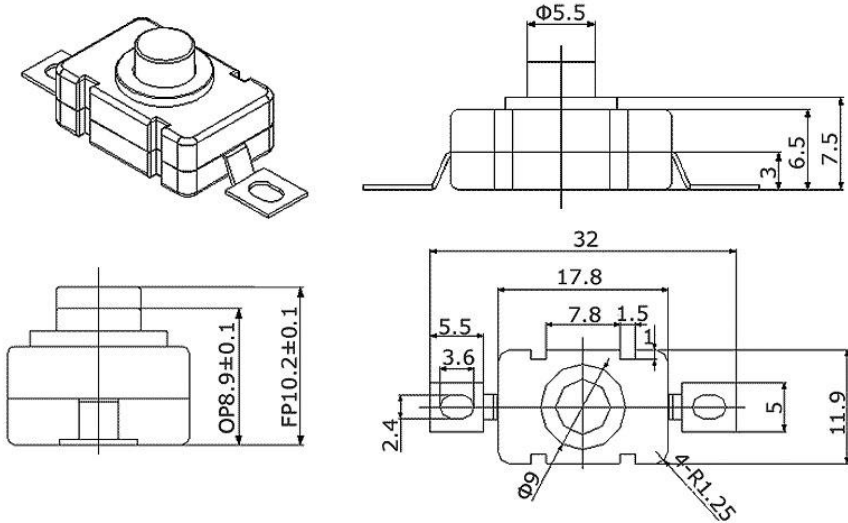
Q-1842

TYPE: **PBS-101**

SPECIFICATIONS

Rating: 1,5A 250V AC
Contact R: 100mΩ max
Insulation R: 250V DC 100MΩ min
Dielectric Strength: 1 Minute 1500V AC
Operating Temperature: -25°C ~ +70°C
Electrical Life: 20, 000 Cycles
Operating Force: 600(±100gf)

Outline Drawing



Mounting

