

## Medium Toggle Switch

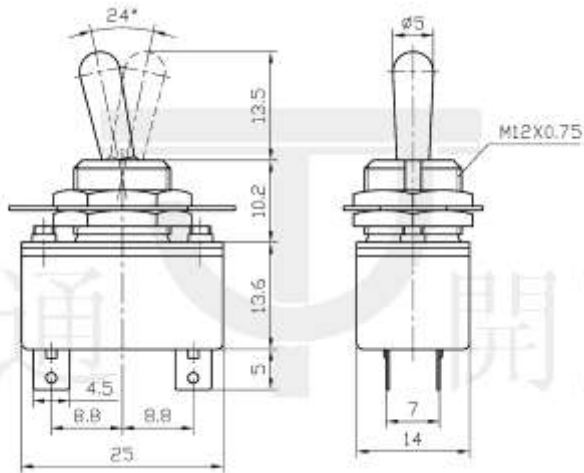
**Q-1676**

TYPE: **KN3-2**

### SPECIFICATIONS

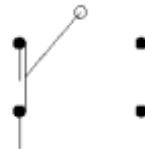
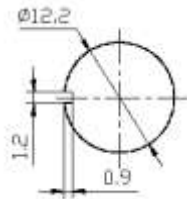
Rating: 4A 125V AC; 2A 250V AC  
 Contact R: 50mΩ max  
 Insulation R: 500V DC 100MΩ min  
 Dielectric Strength: 1 Minute 1500V AC  
 Operating Temperature: -25°C ~ +85°C  
 Electrical Life: 10, 000 Cycles

Outline Drawing



Mounting

Circuitry



ON - ON