

Miniature Illuminated Rocker Switch

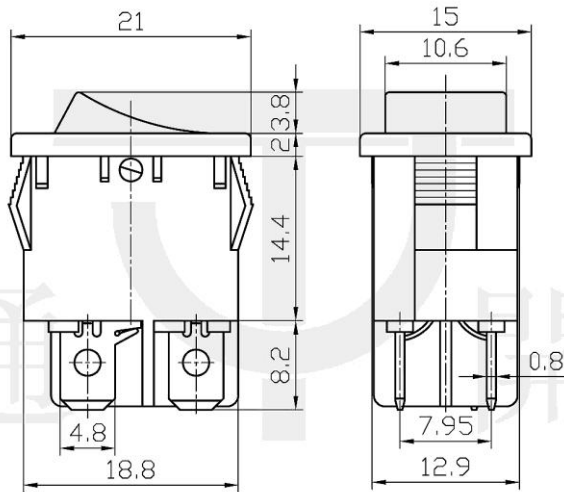
Q-1667

TYPE: **MIRS-101**

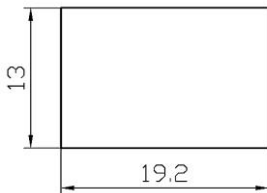
SPECIFICATIONS

Contact Type: SPST
 Rating: 4A 12V DC
 Contact R: 35mΩ max
 Insulation R: 500V DC 100MΩ min
 Dielectric Strength: 1 Minute 1500V AC
 Operating Temperature: -30°C ~ +85°C
 Electrical Life: 10, 000 Cycles

Outline Drawing



Mounting



Circuitry

