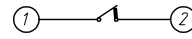
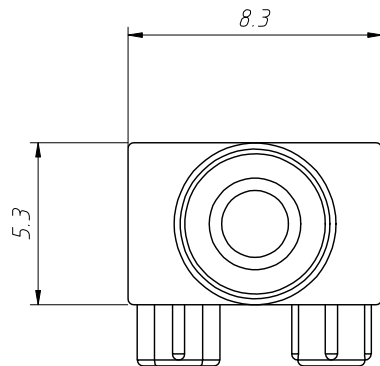
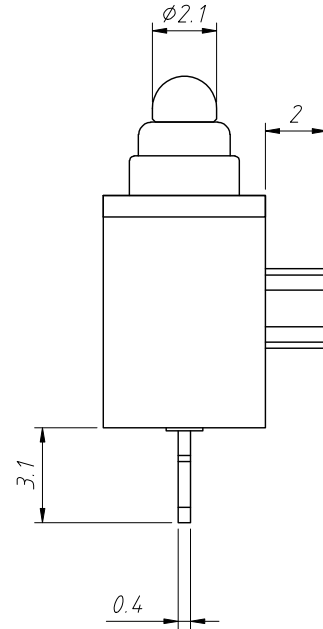
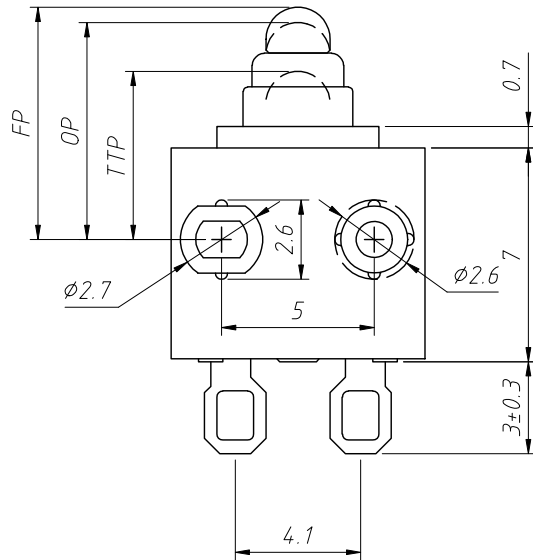


1 RoHS Compliance



Circuit Diagram

(NC)=Вкл-(Выкл)=ON-(OFF)=(SPST-NC)

Material:

- 1.Stem:PPA,Black
- 2.Plastic cover:PA66,Black
- 3.Moving spring:Complex silver copper
 $\delta=0.07$,Silver plating
- 4.Housing:PPA,Black
- 5.Lug:Brass $\delta=0.4$,Silver plating
- 6.Spring:Stainless steel $\phi=0.15$
- 7.Waterproof sleeve: silica gel

Electrical Characteristics:

- Rating:0.1A 12VDC
- Contact Resistance:500m Ω MAX
- Insulation Resistance:DC 500V 100M Ω Min
- Dielectric strength:AC100V (50-60Hz)1minute
- Degree of Protection:IP67
- Electrical life:100000 cycles Min
- Working temperature: -10°C To +60°C

Movement characteristics

Item	Parameter
FP	Free Position 7.8 MAX
OP	Operating Position 7.1±0.3
TTP	Total Travel Position 5.5 MAX
OF	Operating Force 120±30 gf

ANGLE TOLERANCE	PROJECTION	Description:
±3°		Waterproof Micro Switches
GENERAL TOLERANCE	UNITS	mm
x.x ±0.30	SHEET SIZE	A4
x.xx ±0.20	Draw:	Daniel 2022-04-01
x.xxx ±0.10	Check:	Daniel 2022-04-01



NingBo KLS ELECTRONIC CO.,L TD.