

Medium Toggle Switch

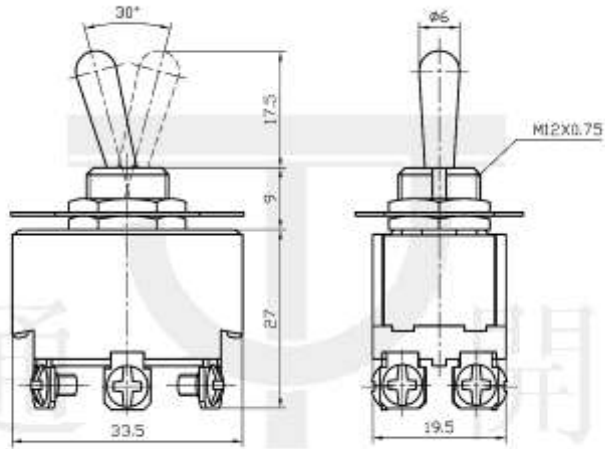
Q-1272

TYPE: **KN3(B)-202A**

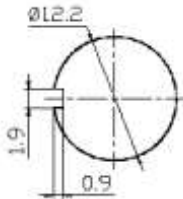
SPECIFICATIONS

Rating: 20A 125V AC; 10A 250V AC; 1 1/2HP 125-250V AC
 Contact R: 50mΩ max
 Insulation R: 500V DC 100MΩ min
 Dielectric Strength: 1 Minute 1500V AC
 Operating Temperature: -25°C ~ +85°C
 Electrical Life: 6,000 Cycles

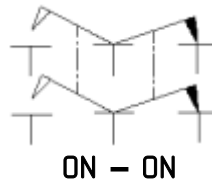
Outline Drawing



Mounting



Circuitry



ON - ON