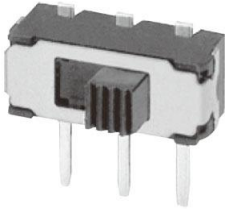


Slide Switch

Q-1011

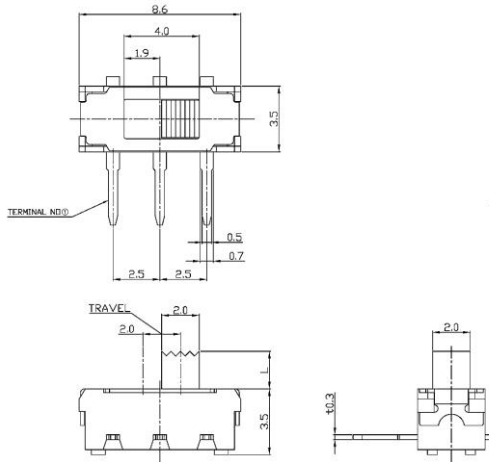
TYPE: **MSS12D01**



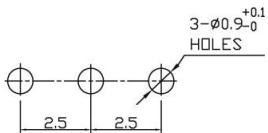
SPECIFICATIONS

Contact Type	SPDT
Pin Width	2.5mm
Rating	DC 50V / 0.3A
Contacts Resistance	70mΩ
Insulation Resistance	100MΩ
Minimum Load	DC 500V
Dielectric Strengths	AC 500V / 1 minute
Life Test	10 000 cycles/ minute
Temperature Range	- 10°C ~ + 60°C
Material	Plastic & Metal

Outline Drawing



Mounting



Circuitry

