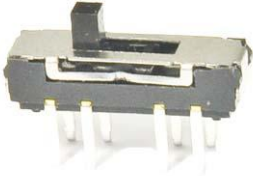


Slide Switch

Q-864

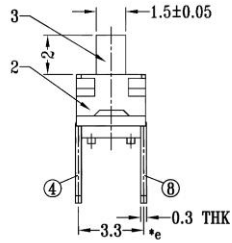
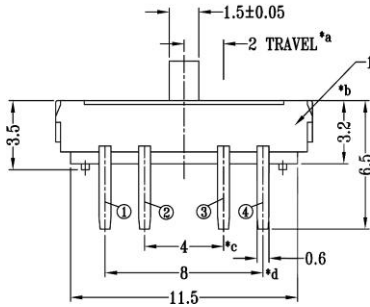
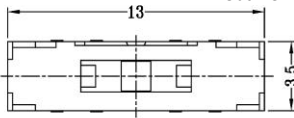
TYPE: **MS-23D18**

SPECIFICATIONS

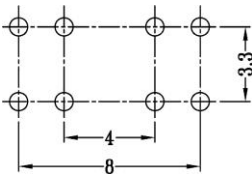


Contact Type	DP3T
Pin Width	2.5mm
Rating	DC 50V, 0.3A
Contacts Resistance	70mΩ
Insulation Resistance	100MΩ
Minimum Load	DC 500V
Dielectric Strengths	AC 500V / 1 minute
Life Test	10 000 cycles/ minute
Temperature Range	-10°C ~ +60°C
Material	Plastic & Metal

Outline Drawing



Mounting



Circuitry

