

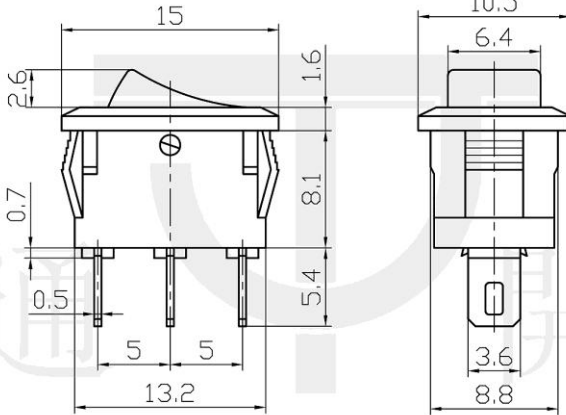
Sub-Miniature Rocker Switch

Q-655

TYPE: **KCDC-3B-102**

SPECIFICATIONS

Rating: 3A 250V AC
Contact R: 35mΩ max
Insulation R: 500V DC 100MΩ min
Dielectric Strength: 1 Minute 1500V AC
Operating Temperature: -25°C ~ +85°C
Electrical Life: 10, 000 Cycles
Outline Drawing



Mounting

Circuitry

