

## KW1-103型微动开关系列 Micro switch series

### ◆ 安全可靠的中型开关 Safe, reliable basic switch

- 结构紧凑, 具有微小触点间隙, 快速动作、高灵敏和微小动作行程特点。  
Nice appearance, tight configuration. Characteristic: small contact gap, quick action, high sensitivity and small operating travel
- 长寿命, 高可靠:  
Long life, high reliability.
- 接线端子种类齐全:  
A variety of contact terminals
- 动作力范围宽:  
A variety of models with low operating force to high operating force are available
- 多种温度等级:  
A variety of temperature degree
- 采用热固性或热塑性塑料:  
Adopt thermosetting plastic or thermoplastic
- 配备各种形式动臂: A variety of levers
- 广泛应用于各种家用电器、电子设备、自动化设备、通讯设备、汽车电子、仪器仪表、电动工具等领域。  
Widely used in home appliance, electronic equipment, automatic machine, communication equipment, car electron, apparatus and instrument electric motion tool etc.



### ◆ 技术特性 Specifications

项目 Item		特性值 Value
工作速度 Operating speed		0.1mm~1m/s(与驱动方式有关) (Related with actuator forms)
工作频率 Operating frequency		机械60次/min Mechanical 60 cycles/min; 电气25次/min Electrical 25 cycles/min;
绝缘电阻 Insulation resistance		≥100MΩ (500VDC)
接触电阻 Contact resistance		≤30MΩ (初始值) (Initial value)
耐电压 Test voltage	同极不相接端子间 Between terminals of the same polarity	AC1000V, 50/60Hz, 1min
	带电子金属零件与地(外壳)之间、接线端与不带电金属件之间 Between current-carrying metal parts and ground(case), and between each terminal and non-current-carrying metal parts	AC3750V, 50/60Hz, 1min
抗振动 Vibration resistance		10~55Hz, 1.5mm双振幅 Double amplitude
抗冲击 Shock resistance		破坏: 动作力>0.5N: 1000m/s <sup>2</sup> (约10G) max 动作力≤0.5N: 400m/s <sup>2</sup> (约4G) max 故障: 动作力>0.5N: 200m/s <sup>2</sup> (约2G) max 动作力≤0.5N: 100m/s <sup>2</sup> (约1G) max Destruction: OF>0.5N: 1000m/s <sup>2</sup> (approx. 10G) max OF≤0.5N: 400m/s <sup>2</sup> (approx. 4G) max Malfunction: OF>0.5N: 200m/s <sup>2</sup> (approx. 2G) max OF≤0.5N: 100m/s <sup>2</sup> (approx. 1G) max
寿命 Life		机械≥1,000,000次; Mechanical ≥1,000,000 cycles 电气≥50,000次; Electrical ≥50,000 cycles



◆ 型号规格命名及含意 Model number legend and meanings

KW1-103 □-□□□□□  
1 2 3 4 5 6

1	温度等级 Degrees of temperature	无标记 No mark:T85, 10T105 T:T125 H:T150 G:T200	
2	额定值 Ratings	<b>KW1-103:</b> 25:10):25(10)A250VAC 25:25(4)A250VAC 16:16(4)A250VAC/16A125VAC 10:10(3)A250VAC/10A125VAC 5:5(2)A250VAC/5A125VAC <b>KW1-103T:</b> 21:21(4)A250VAC 16:16(4)A250VAC/16A125VAC 10:10(3)A250VAC/10A125VAC	05:5(2)A250VAC/5A125VAC 01:1(0.3)A250VAC/1A125VAC <b>KW1-103H:</b> 10:10(3)A250VAC/10A125VAC 5:5(2)A250VAC/5A125VAC <b>KW1-103G:</b> 22:22A125VAC 10:10A125VAC 05:05A125VAC/0.1A30VDC, 1A30VDC 01:1A125VAC/0.1A30VDC, 1A30VDC
3	接触形式 Circuit	Z:转换式 SPDT T:常开(接通)式 SPST-NO D:常开(按断)式 SPST-NC (见说明图 See illustration)	
4	驱动形式 Actuator forms	1:无动臂 No lever A2/2:短动臂 Short lever A3/3:中动臂 Middle lever A4/4:长动臂 Long lever A5/5:弧形动臂 Arc lever A6/6:短滚轮臂 Short roller A7/7:长滚轮臂 Long roller A□/□非标准动臂 Not standard lever	注:1)A表示动臂安装在靠近按钮位置,无字母A表现动臂安装在离按钮较远位置。 □ 2)表示非标准动臂的代号,详见动臂外形尺寸图。 Note:1)A indicate the lever near to the plunger, no A indicate the lever far away from the plunger. 2)□ Indicare not standard lever, details see outline dimension drawings.
5	端子类型 Terminal type	A:250快接端子 Quick-connect terminal B:焊接/快接#187共用端子(t=0.8mm) Solder/Quick-connect terminal#187 C:187快接端子(厚0.5mm) 187 quick-connect terminal(thick0.5mm) D:左侧面PCB端子 Left side PCB terminal	E:螺孔端子 Screw terminal F:焊接端子 Solder terminal G:右侧面PCB端子 Right side PCB terminal Y 非标准端子 Not standard terminal
6	动作(max) Operating force	050:0.5N 100:1N 150:1.5N 200:2N 300:3N 400:4N	注:若是非标准动作力,用此动作力上限值表示。 Note:if it is not standard operating force, indicare with the upper limit



◆ 接触形式说明书 Circuit illustration

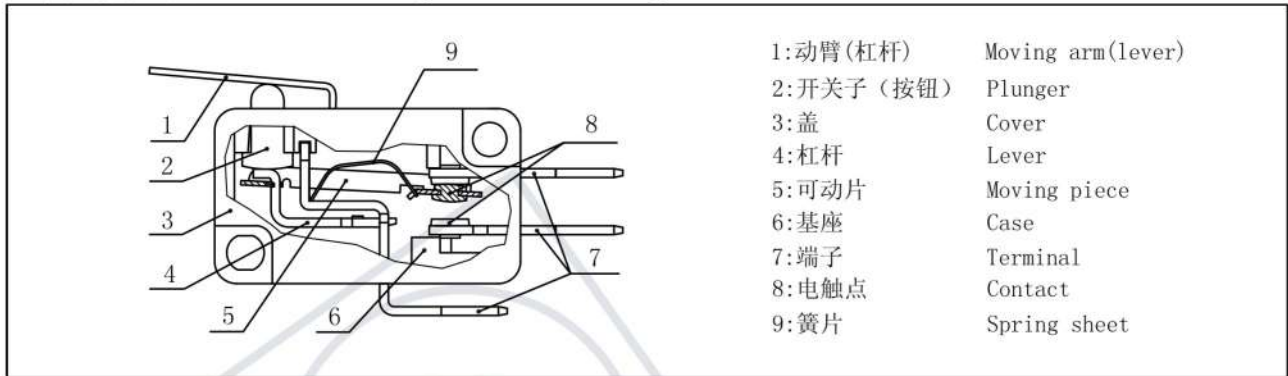
公共端子类型 Common terminal types	转换式 SPDT	常闭式 SPST-NC	常开式 SPST-NO
公共端在底部 Bottom common terminal			
公共端在侧面 Side common terminal			

◆ 接线端尺寸 Terminal dimensions

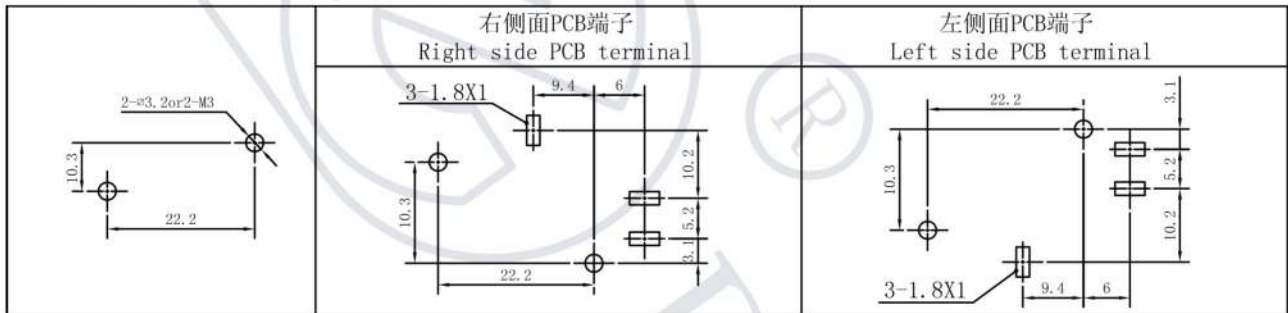
端子种类 Terminal types	快接端子#250(t=0.8mm) Quick-connect terminal#250	焊接/快接#187共用端子(t=0.8mm) Solder/Quick-connect terminal#187	快接端子#187(t=0.5mm) Quick-connect terminal#187
端子尺寸 Terminal dimensions			

左侧面PCB端子 Left side PCB terminal	螺孔端子 Screw terminal	焊接端子 Solder terminal	右侧面PCB端子 Right side PCB terminal

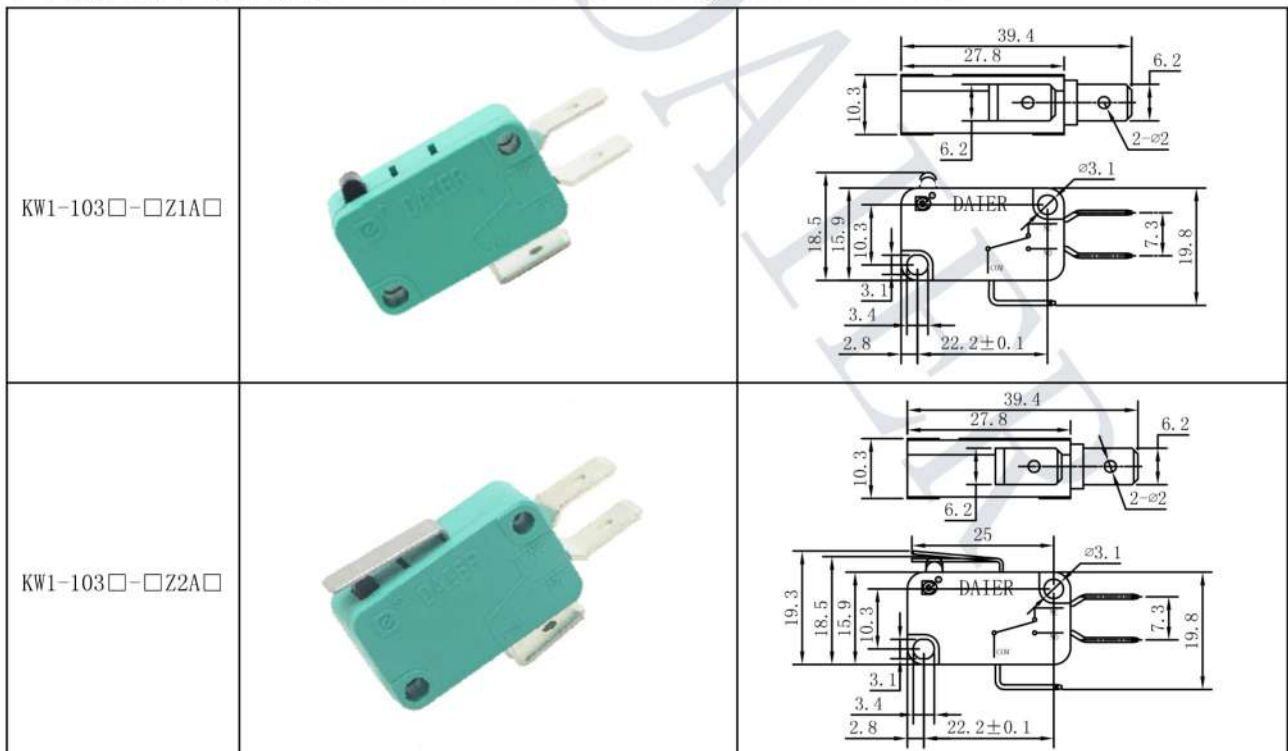
◆ 内部构造图 Internal configuration drawing




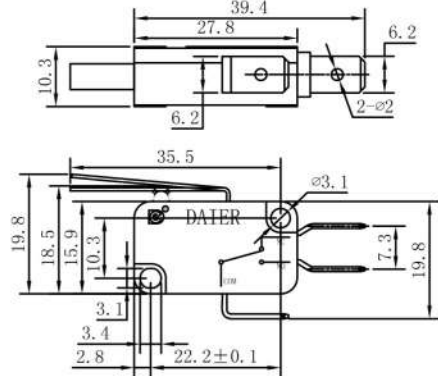

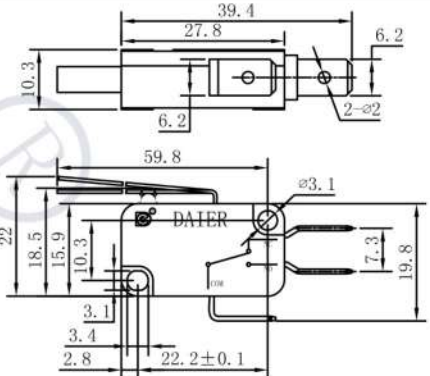

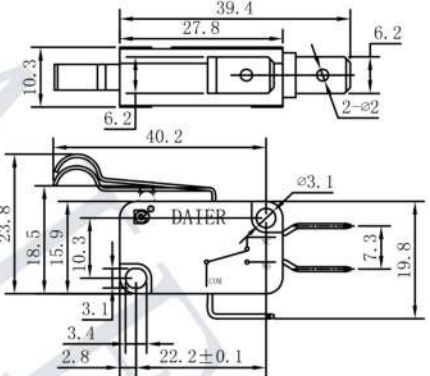

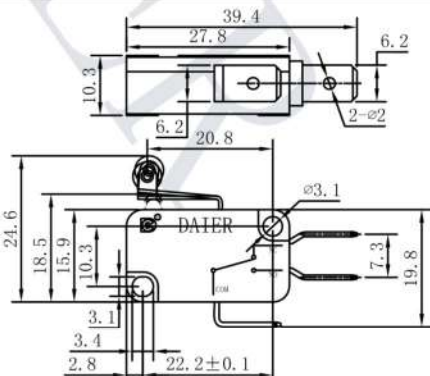
◆ 安装孔尺寸 Mounting hole dimensions




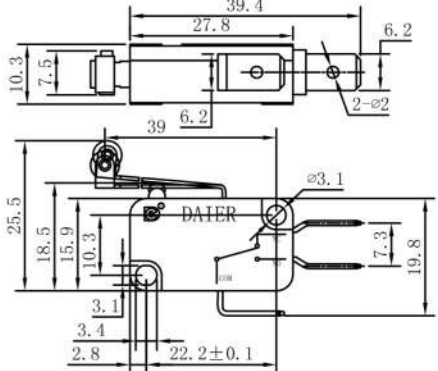

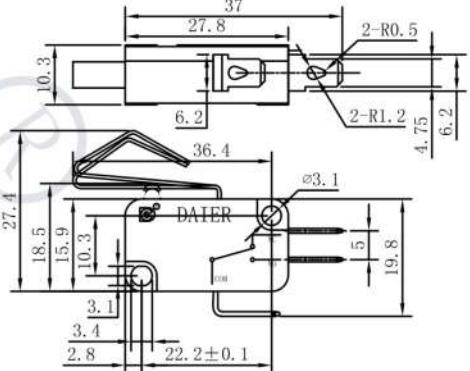

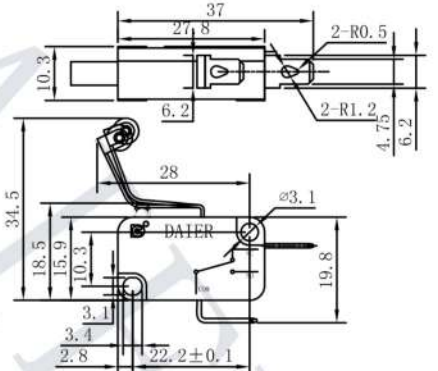

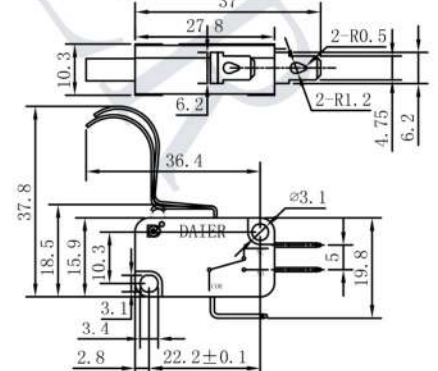
◆ 外形尺寸和动作特性 Dimensions and operating characteristics



◆ 外形尺寸和动作特性 Dimensions and operating characteristics

<p>KW1-103□-□Z3A□</p>		
<p>KW1-103□-□Z4A□</p>		
<p>KW1-103□-□Z5A□</p>		
<p>KW1-103□-□Z6A□</p>		

◆ 外形尺寸和动作特性 Dimensions and operating characteristics

<p>KW1-103□-□Z7A□</p>		
<p>KW1-103□-□Z10A□</p>		
<p>KW1 103 13</p>		
<p>KW1-103□-□Z11B□</p>		



戴尔电子

www.chinadaier.com

◆ 外形尺寸和动作特性 Dimensions and operating characteristics

