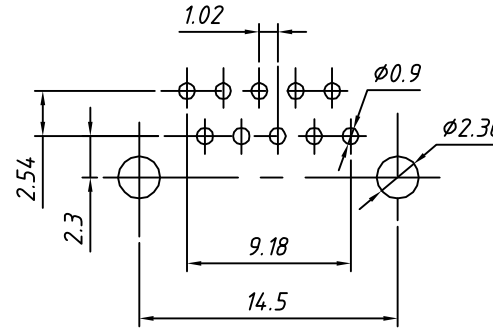
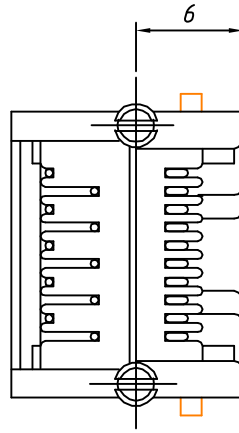


Without Panel



PCB Layout

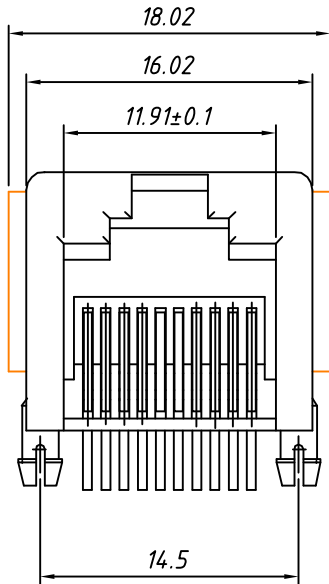
Material:
Housing: PBT+Glass Filled Polyester
Flammability Rating: UL94V-0
Contacts: Phosphor Bronze $\phi 0.46\text{mm}$
Plating: Gold Plating

Electrical:
Voltage Rating: 125VAC
Current Rating: 1.5A
Contact Resistance: 30m Ω Max.
Insulation Resistance: 500M Ω Min.
Dielectric Strength: 1000VAC Rms 50Hz, 1 Min.
Durability: 600 cycles Min.
Operation Temperature: -40°C ~ +70°C

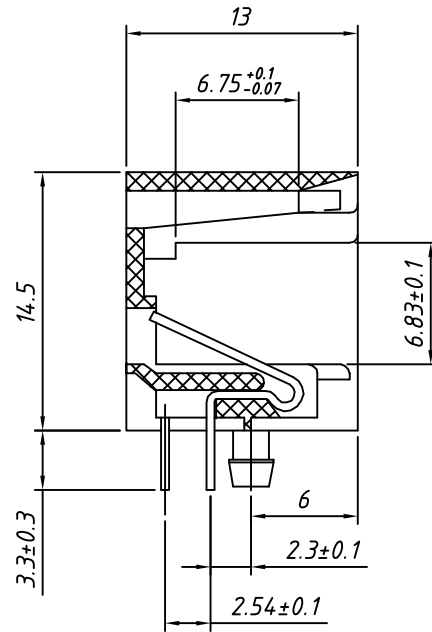
Order Information

L-KLS12-304-10P10C - W - 1 - XX

RoHS _____
Contacts: 10P10C _____
Panel: W-With Panel _____
W/O-Without Panel _____
Color Code: _____
1-Black
2-Gray
Plating Code: _____
01-Fu" Gold Plating
02-3u" Gold Plating
03-6u" Gold Plating
04-15u" Gold Plating
05-30u" Gold Plating



With Panel



SECTION A-A

GENERAL TOLERANCE	PROJECTION		Description:
X. ±0.30	UNITS	mm	RJ50-10P10C Modular jacks
.X ±0.25	SCALE	1:1	
.XX ±0.20	Draw by:	Jenny	
ANGLE TOLERANCE	Check by:	Daniel	KLS P/N: L-KLS12-304-10P10C-X-X-XX
X. ±3°	Date	2018-03-01	NingBo KLS ELECTRONIC CO.,LTD.
.X ±2°	SHEET	1 OF 1	
.XX ±1°			