

NOTES:

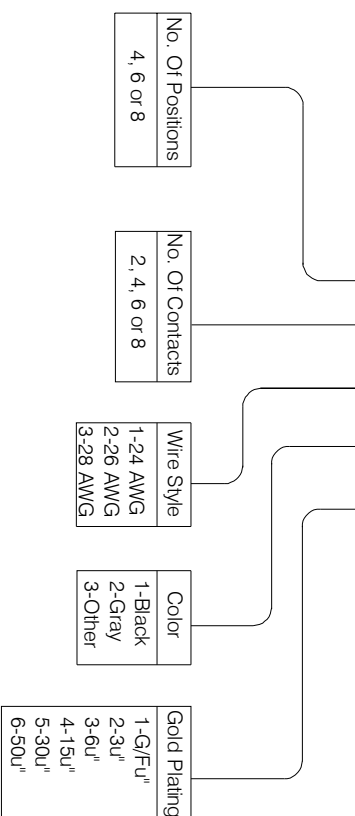
MATERIAL:

1. HOUSING MATERIAL :ABS(UL 94V-0)
2. CONTACT MATERIAL :ROUND PINS-0.46mm DIAMETER PHOSPHOR BRONZE; GOLD PLATING OVER NICKEL
3. WIRES :UL 1061 26#

ELECTRICAL/PHYSICAL:

1. VOLTAGE RATING :125 VAC RMS
2. CURRENT RATING :1.5 AMP
3. CONTACT RESISTANCE :30 MILLIOHMS MAX2
4. INSULATION RESISTANCE :500 MEGOHMS MIN @500V DC
5. DIELECTRIC WITHSTANDING RESISTANCE :1000V AC RMS 60HZ, 1MIN
6. DURABILITY :750 CYCLES MIN
7. TEMPERATURE :-40° C/+85° C

616M - X X - X X L: Wire Length



JACK WITH WIRE	NOT SCALED DRAWING	TOLERANCE UNLESS OTHERWISE NOTICE	INCH	MM	DR.	DATE
	THIRD ANGLE PROJECTION	LINEAR	MM INCH	MM INCH	Nina Jack	MAY-06-12
DWG. NO.	MM INCH	ANGLE+0° 30'	RADIL	MM INCH	APPD Jack	MAY-06-12