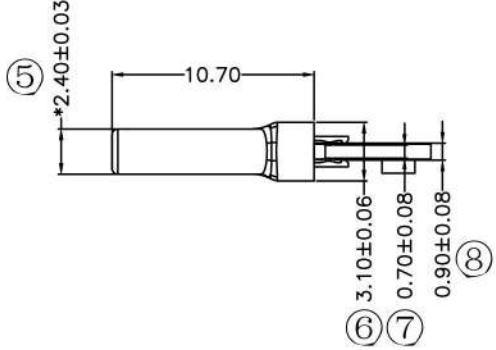
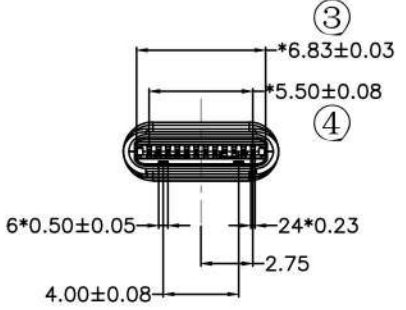
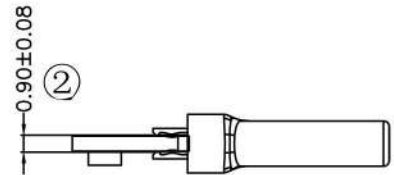
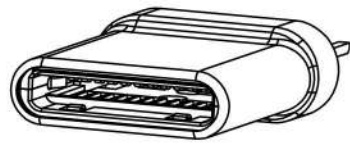
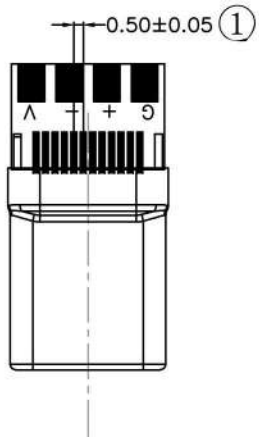
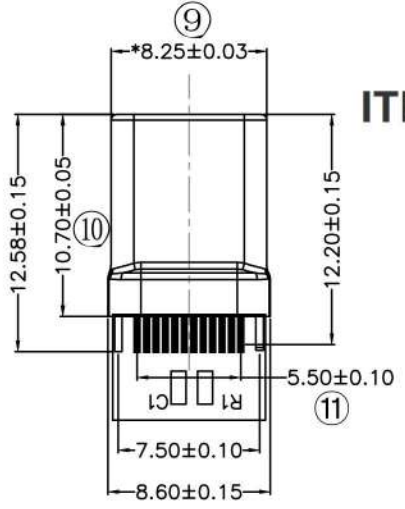
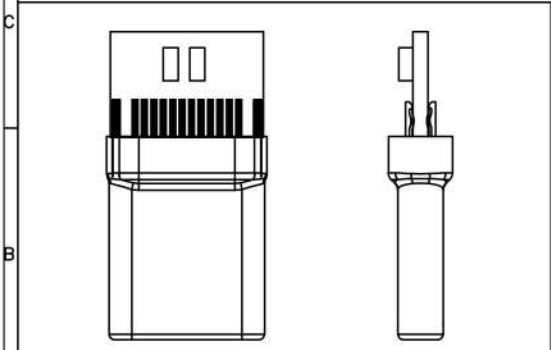


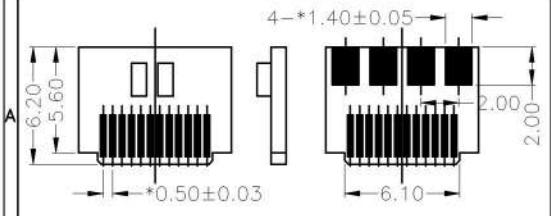
REV.	ZONE	DESCRIPTION	DESIGN	DATE
A0				2017.04.02



PCB



ITEM:USB3.1 TYPE-C 24PM-024



Unless otherwise specified tolerances are					
X.	±0.25				
X.X	±0.15	DRAW NO.	2017040201	DATE	DRAW NAME:
X.XX	±0.10	DWN	Wang lian	2017.04.02	USB 3.1 24PIN
X.XXX	±0.05	CHK			
X°	±2.0°	APVD			
X.X°	±1.0°	P/N : 1100-124006			
 Third Angle Project		FINISH		UNIT	SCALE
		MATERIAL		mm	1:1
		WEIGHT		REV	SHEET
				A	1 OF 1