

Pin	Signal Name	Mating Sequence	Pin	Signal Name	Mating Sequence
A1	GND	First	B12	GND	First
A2	SSTx1	Second	B11	SSRx1	Second
A3	SSTx1	Second	B10	SSRx1	Second
A4	Vcc	First	B9	Vcc	First
A5	CC1	Second	B8	SRE2	Second
A6	Dp1	Second	B7	Dp2	Second
A7	Dn1	Second	B6	Dp2	Second
A8	SBU1	Second	B5	CC2	Second
A9	Vcc	First	B4	Vcc	First
A10	SSRx2	Second	B3	SSTx2	Second
A11	SSRx2	Second	B2	SSTx2	Second
A12	GND	First	B1	GND	First
SHELL	GND	GND	SHELL	GND	GND



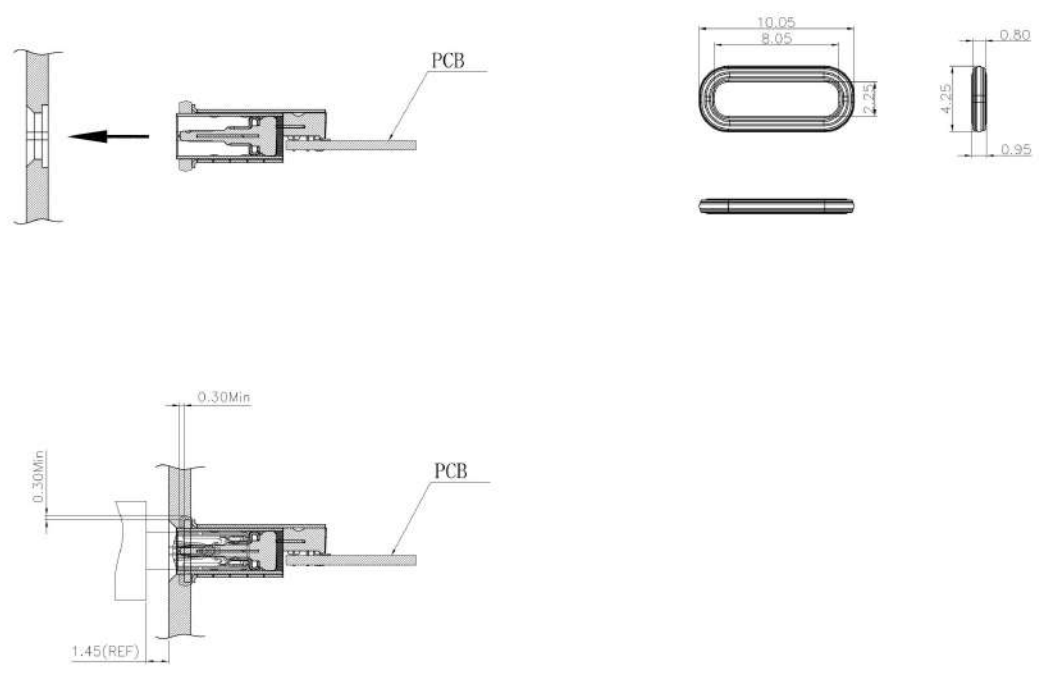
- NOTES:
1. MATERIAL: SEE "TABLE 1";
2. FINISH: SEE "TABLE 1";
 3. ELECTRICAL :
3-1 CONTACT CURRENT RATING :
5A(BUS PIN 1.5A/PIN),
5A(ON PIN 1.5A/PIN MAX),0.25A/PIN(OTHER PIN).
3-2 INSULATION RESISTANCE :
100 MEGOHMS MIN. AT 250VDC.
3-3 DIELECTRIC WITHSTANDING VOLTAGE :
100VAC MIN.
3-4 LOW LEVEL CONTACT RESISTANCE :
INITIAL 40mΩ MAX.
AFTER 50mΩ MAX.
 4. MECHANICAL CHARACTERISTICS :
4-1 MATING FORCE 5-20N;
4-2 UNMATING FORCE 8-20N(INITIAL),6-20N(AFTER 10000 CYCLES).
4-3 DURABILITY : 10,000 MATING CYCLES.
4-4 OPERATING TEMPERATURE :-40°C TO +80°C

ITEM:USB3.1 TYPE-C 24PF-036

NO.	PART NAME	QTY	MATERIAL	DESCRIPTION	REMARK
⑤	GLUE WATER	1	EPOXY	BLACK	
⑦	Shell-2	1	Stainless steel	NI PLATING	T=0.20mm
⑧	Shell-1	1	Stainless steel	NI PLATING	T=0.20mm
⑨	GND PLATE	1	Stainless steel	NI PLATING	T=0.10mm
④	MID PLATE	1	Stainless steel		T=0.15mm
③	Terminal-B	12	銅鍍矽合金	Au15% PLATING	T=0.12mm
②	Terminal-A	12	銅鍍矽合金	Au15% PLATING	T=0.12mm
①	Housing	1	HIGH TEMP	Black	

UNLESS OTHERWISE SPECIFIED:	GENERAL TOLERANCE:	ANGULAR:	THIRD ANGLE PROJECTION	UNIT:	SCALE:	SIZE:	SHEET:
X.xxx	±0.10	X.xx	±1°	mm	1:1	A4	1/2
X.x	±0.20	X.x	±3°				
X	±0.30	X	±5°				

JH2017-048	X1		2017.04.18	Bin	DESIGN	2017.04.18
20161107001	X	NEW DRAWING	2017.02.25	Bin	CHECK	2017.04.18
ECN NO.	REV.	DESCRIPTION	DATE	CHANGE	APPROVAL	2017.04.18



ITEM:USB3.1 TYPE-C 24PF-036

UNLESS OTHERWISE SPECIFIED:	GENERAL TOLERANCE:	ANGULAR:	THIRD ANGLE PROJECTION	UNIT:	SCALE:	SIZE:	SHEET:
X.xxx	±0.10	X.xx	±1°	mm	1:1	A4	2/2
X.x	±0.20	X.x	±3°				
X	±0.30	X	±5°				

JH2017-048	X1		2017.04.18	Bin	DESIGN	2017.04.18
20161107001	X	NEW DRAWING	2017.02.25	Bin	CHECK	2017.04.18
ECN NO.	REV.	DESCRIPTION	DATE	CHANGE	APPROVAL	2017.04.18