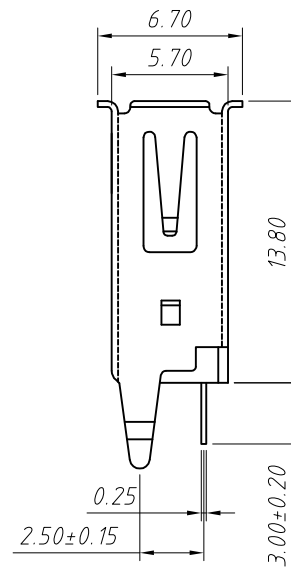
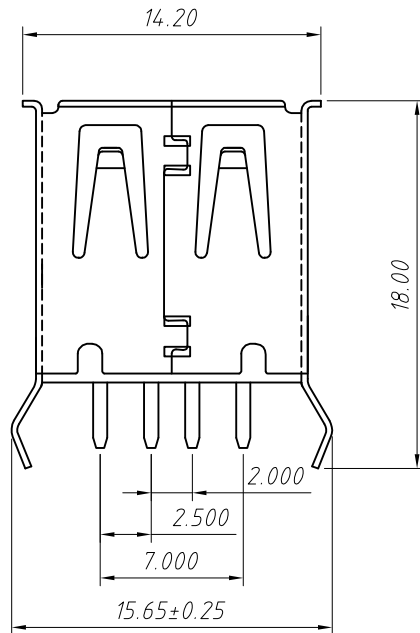


RECOMMENDED PCB LAYOUT



Material

Housing: High Temperature Thermoplastic, UL 94 V-0
PBT/LCP, Black/White.

Contact: Copper Alloy C2680.

Shell: Copper Alloy C2680/SPCC.

Finish:

Contact: Plated Gold In Mating Area; Tin On Solder Tails.
Shell: Nickel Plating.

Electrical:

Current Rating: 1.5A/Contact Terminal.

Voltage Rating: 30V DC

Contact Resistance: 30mΩ Max.

Dielectric Withstanding Voltage: 500 V AC AT Sea Level.

Insulation Resistance: 1000MΩ Min.

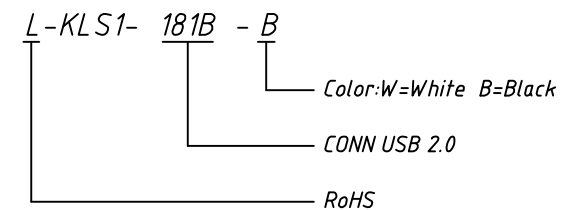
Connector Mate and Unmated Force

Mate Force: 3.75kgf Max.

Unmated Force: 1.02kgf Min.

Terminal Retention: 1.2kgf Min.

Order Information



GENERAL TOLERANCE	PROJECTION		Description:
X. ±0.50	UNITS	mm	CONN COM TYPE A USB Female Straight H13.7
.X ±0.25	SCALE	1:1	
.XX ±0.10	Draw by:	Jenny	KLS P/N: L-KLS1-181B-X
ANGLE TOLERANCE	Check by:		NingBo KLS ELECTRONIC CO.,L TD.
X. ±5°	Date	2018-03-01	
.X ±3°	SHEET	1 OF 1	
.XX ±2°			