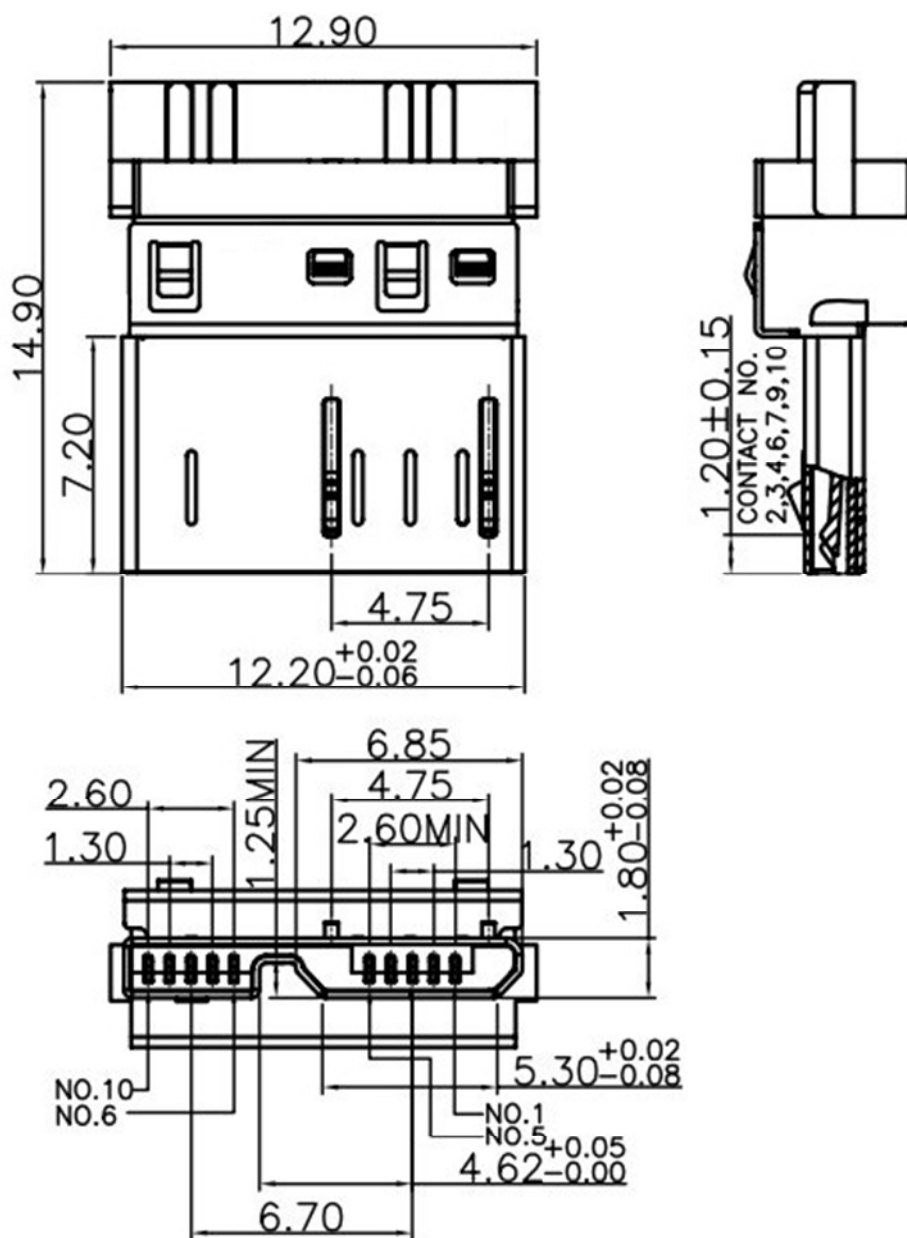
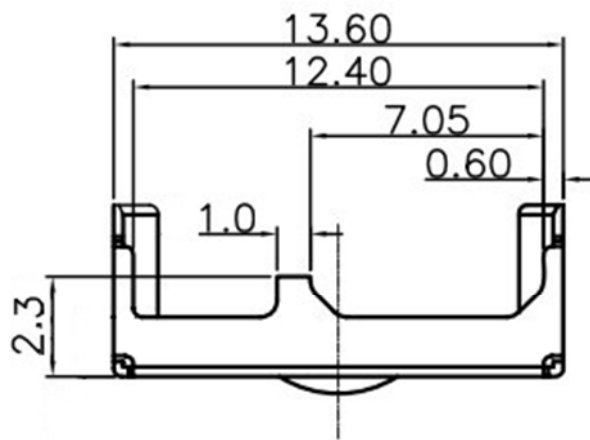
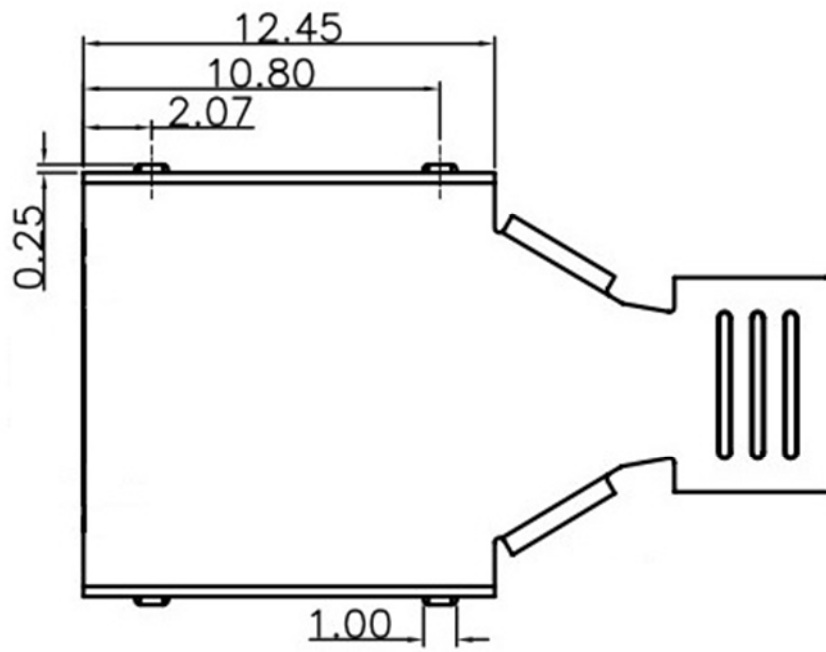
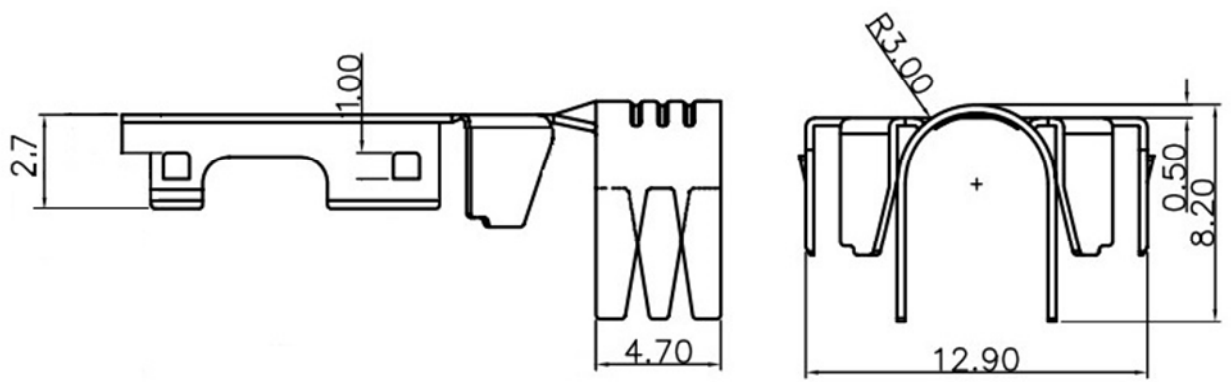


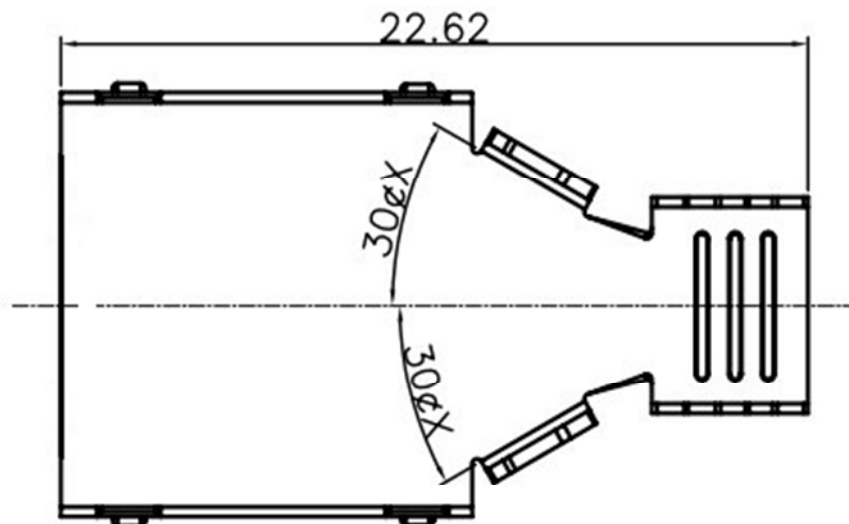
Q-2069

РАЗЪЕМЫ micro-USB 3.0 B Type

штекер на кабель (10С)







NOTE

MATERIAL

INSULATOR: PBT (UL94V-0)

CONTACTS: PHOSPHOR BRONZE

SHELL: BRASS

SHELL: SPCC

CONTACT PLATING: GOLD PLATING OVER NICKEL

ELECTRICAL SPECIFICATION

CURRENT RATING: 5AMP;

CONTACT RESISTANCE:  $30\text{m}\Omega$  MAX.

INSULATION RESISTANCE:  $1000\text{M}\Omega$  MIN 500V DC.

DIELECTRIC WITHSTANDING VOLTAGE: 5000V AC

ENVIRONMENTAL

OPERATING TEMPERATURE:  $-55^{\circ}\text{C}\sim 105^{\circ}\text{C}$ .