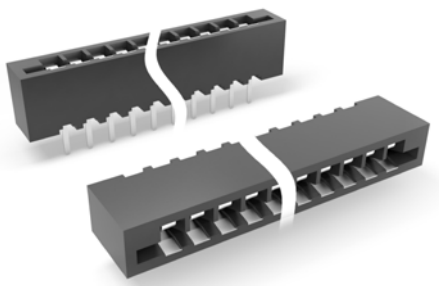
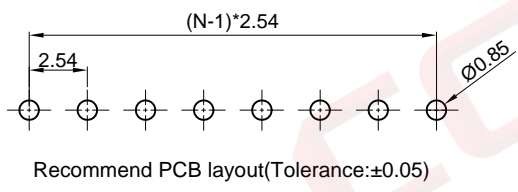
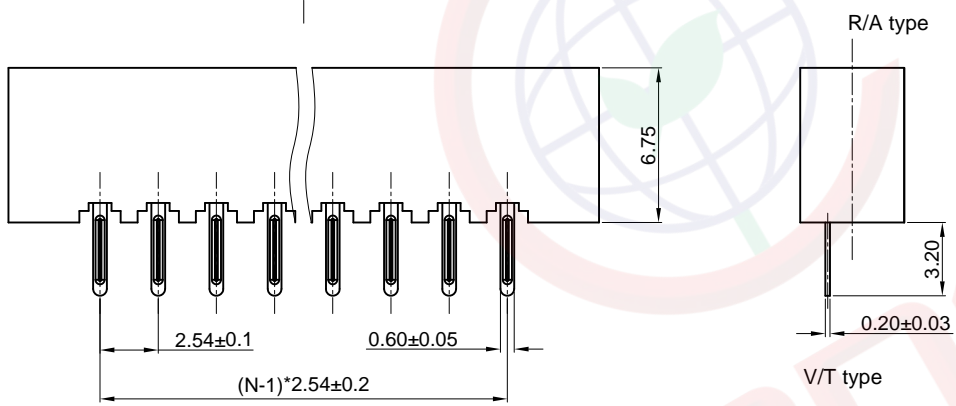
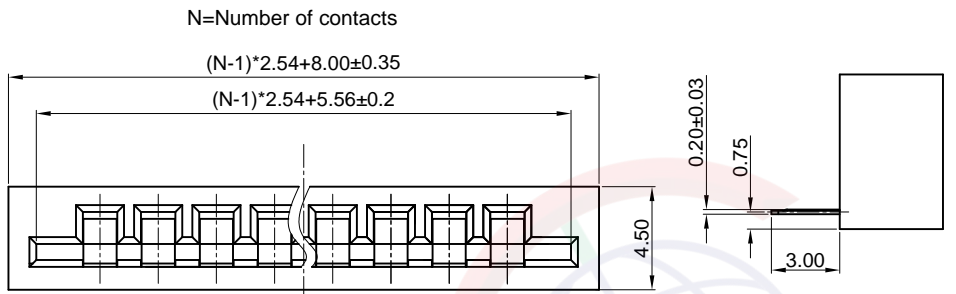


The information provided herein is from CONNPLY Electronic Co., Ltd. and is confidential. Any disclosure to a party other than the recipient is prohibited. The intellectual properties and its rights contained herein, including but not limited to, trademarks, patents, copyrights, trade secrets, and technical know-how, are owned exclusively by CONNPLY or its affiliates. Unauthorized use or reproduction of any part of this document, in any form or by any means, without the prior written permission of CONNPLY is strictly prohibited. CONNPLY may enforce its intellectual property rights at its own discretion, failures or delays to exercise such rights does not constitute a waiver of such rights.

REV.	DESCRIPTION	DRAWN	CHECKED	APPROVED
A	NEW RELEASE	LJH 10/04/05'		LJC 10/04/05'
B	DRAWING UPDATE	JLZ 08/31/18'		

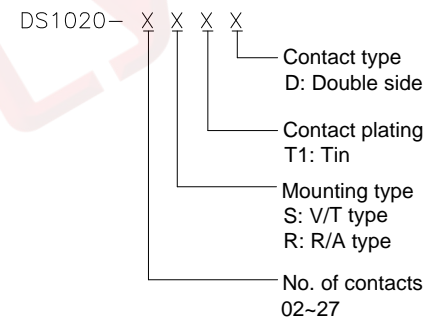


(Series Image-Reference Only)

NOTES:

- Materials
 - Insulator:Thermoplastic(UL 94V-0).
 - Contact:Copper alloy.
- Specification
 - Temperature:-40°C~+105°C.
 - Contact resistance:20mΩ max.
 - Insulation resistance:1000MΩ min.
 - Dielectric withstanding voltage:AC 500V per minute.

3. Product number code:



GENERAL TOLERANCE		ANGLE TOLERANCE		PROJECTION		TITLE	FFC/FPC CONNECTOR	
X.	±0.60	X.	±5°	UNITS	mm	PITCH 2.54mm LIF.T/H		
.X	±0.38	.X	±3°	SHEET SIZE	A4	SERIES	DS1020 SERIES	
.XX	±0.25	.XX	±2°	晨翔电子有限公司 CONNPLY CONNPLY ELECTRONIC CO. LTD				
DRAWING TYPE		CUSTOMER						
SCALE	1:1	SHEET	1 OF 1					
DRAWING NO.		C-DS1020-XXXX-B						