

SN Series – Part Numbering



Features

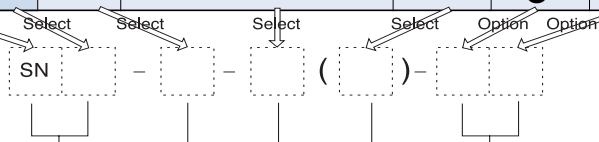
- Push-pull technology
- Miniature circular
- Light weight
- Low cost

Applications

- Professional audio and video
- CCTV system
- Portable wireless radio
- Factory Automation
- Computers and peripherals
- Medical, and much more.

Part Numbering

Part Number Series	Prefix	Size	Number of Contacts	Suffix	Optional Suffix		Contact Type	Notes	Page	
					S	B				
SN	H	8 or 10	8 size : 4,5,6 10 size : 2,3,4,9,10,12	P / PS		●	P	Plug	36	
				PL		●	P	Right-angle plug	36	
				R	●	●	S	Receptacle	37	
				RPCB	●	●	S	PCB receptacle	37	
				LRPCB	●	●	S	Right-angle PCB receptacle	37	
				P / PS		●	S	Plug	38	
		PL		●	S	Right-angle plug	38			
		R	●	●	P	Receptacle	39			
		RPCB	●	●	P	PCB receptacle	39			
		LRPCB	●	●	P	Right-angle PCB receptacle	39			
		1			P		●	P	Plug (Clamp type)	36
		1H			P		●	S	Plug (Clamp type)	38
	A					●	S	Adapter	37	
	HA					●	P	Adapter	39	
	2			P			●	P	Plug (Screw-on type)	35
	2A			R	●	●	S	Receptacle (Screw-on type)	35	
							●	S	Adapter (Screw-on type)	35



Ordering Part Number
(see examples)

Examples

SN - 8 - 4 (P)

SN series - Size 8 - 4 contact (Plug)

SN - 8 - 6 (RPCB)

SN series - Size 8 - 6 contact (PCB Receptacle)

SN - 8 - 6 (P) - SB

SN series - Size 8 - 6 contact (Plug) - Silver contact & Black plug housing

SN1 - 10 - 12 (R) - S

SN1 series - Size 10 - 12 contact (Receptacle) - Silver contact

SN2A - 10 - 2 - S

SN2A series - Size 10 - 2 contact - Silver contact

SN - 8 - 4 (LRPCB) - S

SN series - Size 8 - 4 contact (Right-angle PCB receptacle) - Silver contact

Connector Series (Prefix)

SN - SN series

SNH - Reverse contact

SN1 - Clamp type plug

SN1H - Clamp type & reverse contact plug

SNA - Adapter for SN series

SNHA - Adapter for SNH series

SN2 - Screw-on type

SN2A - Adapter for SN2 series

Size

8, 10

No. of Contacts

8 Size : 4,5,6

10 Size : 2,3,4,9,10,12

Body Type

P : Plug

PL : Right-angle plug

PS : Short Plug Housing

R : Receptacle (solder termination)

RPCB : Receptacle (PCB termination)

LRPCB : Right-angle Receptacle (PCB)

blank : Adapter

Option

S : Silver contact

B : Black plug housing

Major Performances / Contact Arrangements

Performance	Size / No. of Contacts		Size 8			
	4	5	6	6	6	6
Withstanding Voltage (per min) ¹	AC 300V	AC 300V	AC 300V	AC 300V	AC 300V	AC 300V
Current	2A	2A	2A	2A	2A	2A
Insulation Resistance (Minimum) ²	1,000MΩ	1,000MΩ	1,000MΩ	1,000MΩ	1,000MΩ	1,000MΩ
Contact Resistance (Maximum) ³	10mΩ	10mΩ	10mΩ	10mΩ	10mΩ	10mΩ
Solder Pot Inside Diameter	∅0.8	∅0.8	∅0.8	∅0.8	∅0.8	∅0.8
Contact Arrangement						
Performance	Size / No. of Contacts		Size 10			
	2	3	4	9	10	12
Withstanding Voltage (per min) ¹	AC 500V	AC 500V	AC 500V	AC 300V	AC 300V	AC 300V
Current	3A	3A	3A	2A	2A	2A
Insulation Resistance (Minimum) ²	1,000MΩ	1,000MΩ	1,000MΩ	1,000MΩ	1,000MΩ	1,000MΩ
Contact Resistance (Maximum) ³	10mΩ	10mΩ	10mΩ	10mΩ	10mΩ	10mΩ
Solder Pot Inside Diameter	∅1.0	∅1.0	∅1.0	∅0.8	∅0.8	∅0.8
Contact Arrangement						

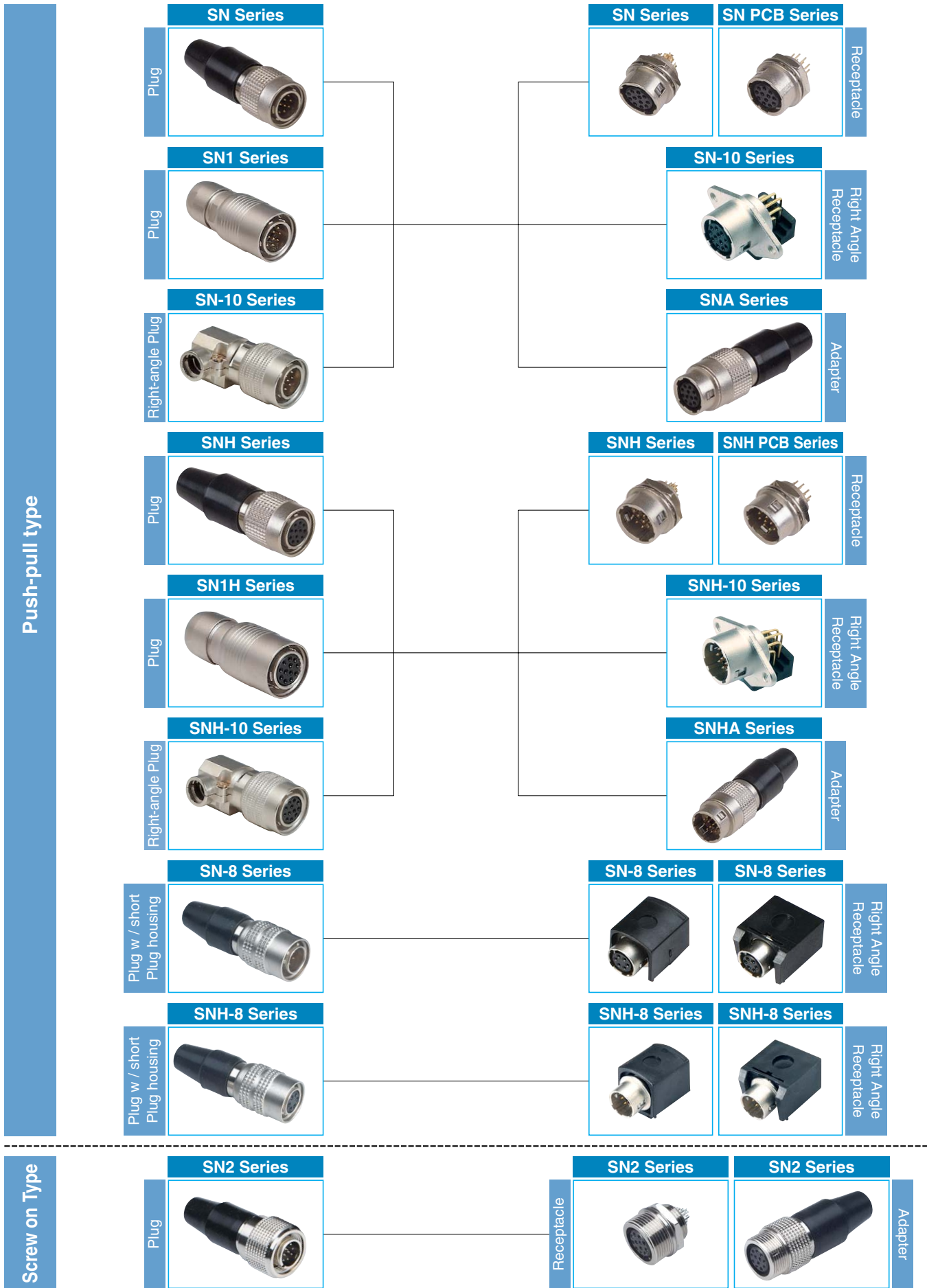
- ! ¹ Withstanding voltage is the tested voltage value in this table.
² Insulation resistance is measured at DC 100V.
³ Contact resistance is measured at DC 1A.
 • Values are from tested items and may not apply to all connectors.
 • Specifications subject to change without notice.
 • Consult Sam Woo Electronics for the latest specifications.

Contact Diameter
 ○ 0.8mm ● 1.0mm

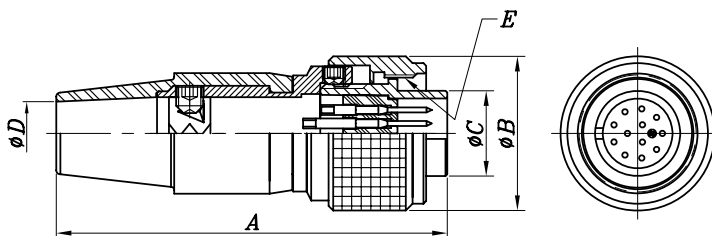
Material Used / Finish

	Material	Finish
Body	Zinc alloy and brass	Sn, Ni plate
Insulator	PA	Black
Contacts	Pin	Brass
	Socket	Phosphor bronze
		Gold or Silver plate

SN Series – Mini-map

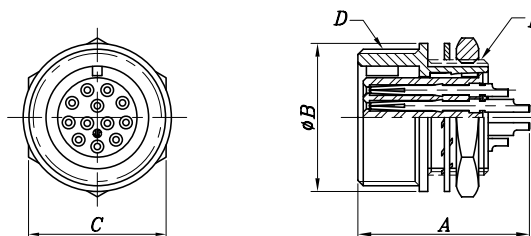


SN2 Plug



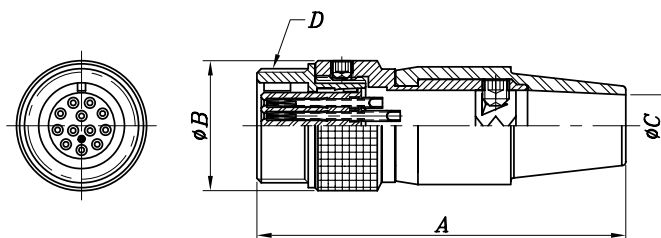
Part Number	A	ØB	ØC	ØD	E	Part Number	A	ØB	ØC	ØD	E
SN2-8-4 (P)						SN2-10-2 (P)	43.0	17.0	9.4	7.0	M13×0.75P
SN2-8-5 (P)		Coming soon			SN2-10-3 (P)						
SN2-8-6 (P)					SN2-10-4 (P)						
					SN2-10-9 (P)						
					SN2-10-10 (P)						
					SN2-10-12 (P)						

SN2 Receptacle



Part Number	A	ØB	C	D	E	Part Number	A	ØB	C	D	E
SN2-8-4 (R)						SN2-10-2 (R)	16.5	14	13	M13×0.75P	M11×0.75P
SN2-8-5 (R)		Coming soon			SN2-10-3 (R)						
SN2-8-6 (R)					SN2-10-4 (R)						
					SN2-10-9 (R)						
					SN2-10-10 (R)						
					SN2-10-12 (R)						

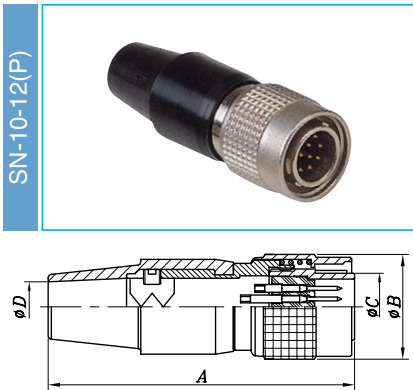
SN2A Adapter



Part Number	A	ØB	ØC	D	Part Number	A	ØB	ØC	D
SN2A-8-4 (P)					SN2A-10-2 (R)	41.7	14.7	7.0	M13×0.75P
SN2A-8-5 (P)		Coming soon			SN2A-10-3 (R)				
SN2A-8-6 (P)					SN2A-10-4 (R)				
					SN2A-10-9 (R)				
					SN2A-10-10 (R)				
					SN2A-10-12 (R)				

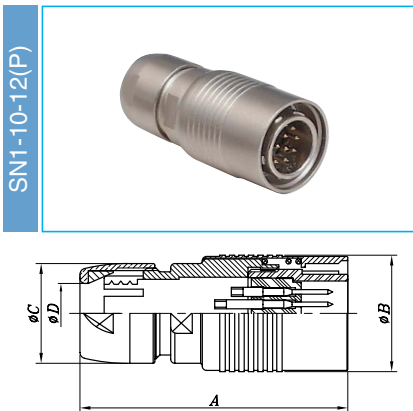
SN Series – SN Plug

SN Plug



Part Number	A	$\varnothing B$	$\varnothing C$	$\varnothing D$
SN-8-4(P)	35	11.5	7	5
SN-8-5(P)				
SN-8-6(P)				
SN-10-2(P)	43	14.9	9.4	7
SN-10-3(P)				
SN-10-4(P)				
SN-10-9(P)				
SN-10-10(P)				
SN-10-12(P)				

SN1 Plug



Part Number	A	$\varnothing B$	$\varnothing C$	$\varnothing D$
SN1-8-4(P)	28	11.0	9.0	5.2
SN1-8-5(P)				
SN1-8-6(P)				
SN1-10-2(P)	32	14.0	12.0	7.2
SN1-10-3(P)				
SN1-10-4(P)				
SN1-10-9(P)				
SN1-10-10(P)				
SN1-10-12(P)				

SN Right-Angle Plug



Part Number	A	$\varnothing B$	$\varnothing C$	D	$\varnothing E$	$\varnothing F$
SN-10-9(PL)	29.0	9.4	14.9	18.2	6.3	8.3
SN-10-10(PL)						
SN-10-12(PL)						

SN Plug (Short plug housing)



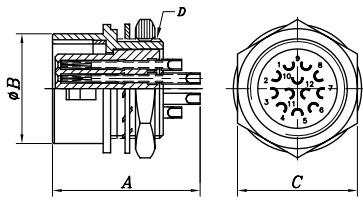
Part Number	A	$\varnothing B$	$\varnothing C$	$\varnothing D$	E
SN-8-4(PS)	35.0	11.5	7.0	5.1	0.6
SN-8-6(PS)					

! SN Plug (Short plug housing) only mates with SN-8-4(LRPCB)K, SN-8-6(LRPCB)K, SN-8-4(LRPCB)K1, SN-8-6(LRPCB)K1.

SN Receptacle / Adapter – SN Series

SN Receptacle

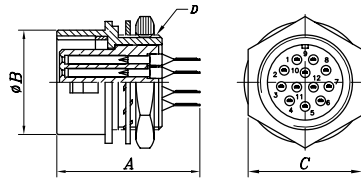
SN-10-12(R)



Part Number	A	ØB	C	D
SN-8-4 (R)	14.5	8.8	10.0	M18×1.0P
SN-8-5 (R)				
SN-8-6 (R)				
SN-10-2 (R)	15	11.9	13.0	M11×0.75P
SN-10-3 (R)				
SN-10-4 (R)				
SN-10-9(R)				
SN-10-10(R)				
SN-10-12(R)				

SN PCB Receptacle

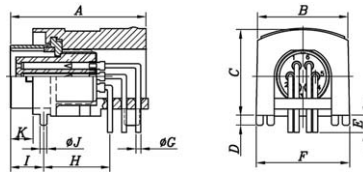
SN-10-12(RPCB)



Part Number	A	ØB	C	D
SN-8-4 (RPCB)	15.7	8.8	10	M8×0.5P
SN-8-5 (RPCB)				
SN-8-6 (RPCB)				
SN-10-2 (RPCB)	16.2	11.9	13	M11×0.75P
SN-10-3 (RPCB)				
SN-10-4 (RPCB)				
SN-10-9(RPCB)				
SN-10-10(RPCB)				
SN-10-12(RPCB)				

SN Right Angle PCB Receptacle (Any Type)

SN-8-6(LRPCB)K

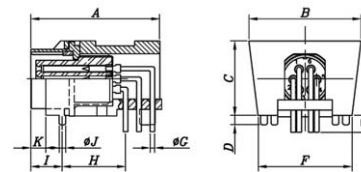


Part Number	A	B	C	D	E	F	ØG	H	I	ØJ	K
SN-8-4 (LRPCB)K	19.2	12.8	12.0	1.3	2.4	13.2	0.7	9.4	4.7	1.0	3.2
SN-8-6 (LRPCB)K											

! SN-8-4(LRPCB)K, SN-8-6(LRPCB)K only mates with SN-8-4(PS), SN-8-6(PS) plugs.

SN Right Angle PCB Receptacle (Magic Type)

SN-8-6(LRPCB)K1

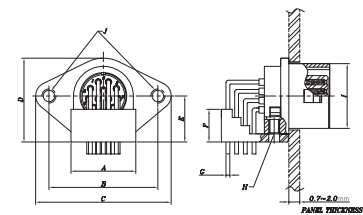


Part Number	A	B	C	D	E	F	ØG	H	I	ØJ	K
SN-8-4(LRPCB)K1	19.2	16.7	11.0	1.3	2.4	14.0	0.7	9.4	4.7	1.0	2.2
SN-8-6(LRPCB)K1											

! SN-8-4(LRPCB)K1, SN-8-6(LRPCB)K1 only mates with SN-8-4(PS), SN-8-6(PS) plugs.

SN Right Angle PCB Receptacle

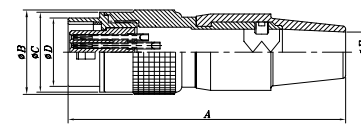
SN-10-12(LRPCB)



Part Number	A	B	C	D	E	F	ØG	H	ØI	J
SN-10-12(LRPCB)	11.9	20	24.9	15.4	8.5	6	0.7	M2.0 ×0.4P	11.9	M2.6 ×0.45P

SNA Adapter

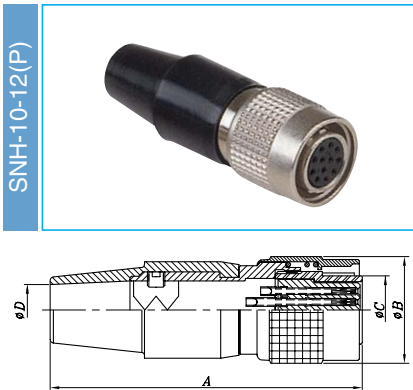
SNA-10-12



Part Number	A	ØB	ØC	ØD	ØE
SNA-8-4	40.2	11.5	10.9	8.8	5.1
SNA-8-5					
SNA-8-6					
SNA-10-2					
SNA-10-3	48.0	14.9	13.9	11.9	7.0
SNA-10-4					
SNA-10-9					
SNA-10-10					
SNA-10-12					

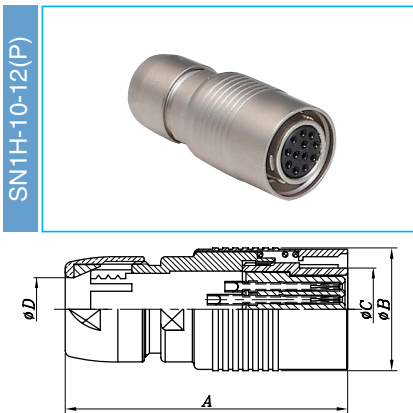
SN Series – SNH Plug

SNH Plug



Part Number	A	ϕB	ϕC	ϕD
SNH-8-4(P)	35	11.5	7	5
SNH-8-5(P)				
SNH-8-6(P)				
SNH-10-2(P)	43	14.9	9.4	7
SNH-10-3(P)				
SNH-10-4(P)				
SNH-10-9(P)				
SNH-10-10(P)				
SNH-10-12(P)				

SN1H Plug



Part Number	A	ϕB	ϕC	ϕD
SN1H-8-4(P)	28	11.0	9.0	5.2
SN1H-8-5(P)				
SN1H-8-6(P)				
SN1H-10-2(P)	32	14.0	12.0	7.2
SN1H-10-3(P)				
SN1H-10-4(P)				
SN1H-10-9(P)				
SN1H-10-10(P)				
SN1H-10-12(P)				

SNH Right Angle Plug



Part Number	A	ϕB	ϕC	D	ϕE	ϕF
SNH-10-9(PL)	29.0	9.4	14.9	18.2	6.3	8.3
SNH-10-10(PL)						
SNH-10-12(PL)						

SNH Plug (Short plug housing)

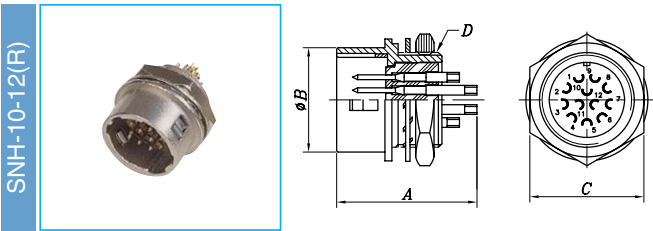


Part Number	A	ϕB	ϕC	ϕD	E
SNH-8-4(PS)	35.0	11.5	7.0	5.1	0.6
SNH-8-6(PS)					

! SNH Plug (Short plug housing) only mates with SNH-8-4(LRPCB)K, SNH-8-6(LRPCB)K, SNH-8-4(LRPCB)K1, SNH-8-6(LRPCB)K1.

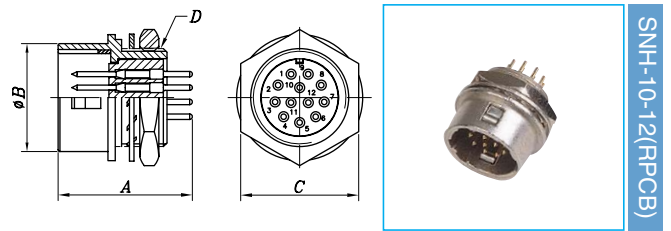
SNH Receptacle / Adapter – SN Series

SNH Receptacle



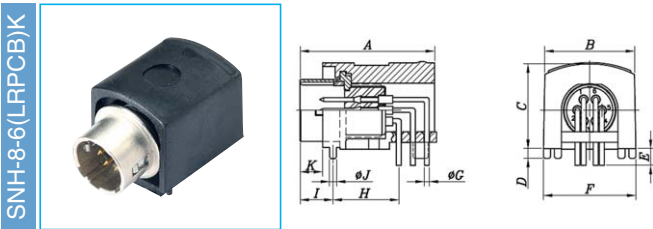
Part Number	A	ØB	C	D	Part Number	A	ØB	C	D
SNH-8-4 (R)	14.2	8.8	10.0	M8×0.5P	SNH-10-2(R)	16.2	11.9	13.0	M11×0.75P
SNH-8-5 (R)					SNH-10-3(R)				
SNH-8-6 (R)					SNH-10-4(R)				
	SNH-10-9(R)								
	SNH-10-10(R)								
	SNH-10-12(R)								

SNH PCB Receptacle



Part Number	A	ØB	C	D	Part Number	A	ØB	C	D
SNH-8-4(RPCB)	15	8.8	10	M8×0.5P	SNH-10-2(RPCB)	15	11.9	13	M11×0.75P
SNH-8-5(RPCB)					SNH-10-3(RPCB)				
SNH-8-6(RPCB)					SNH-10-4(RPCB)				
	SNH-10-9(RPCB)								
	SNH-10-10(RPCB)								
	SNH-10-12(RPCB)								

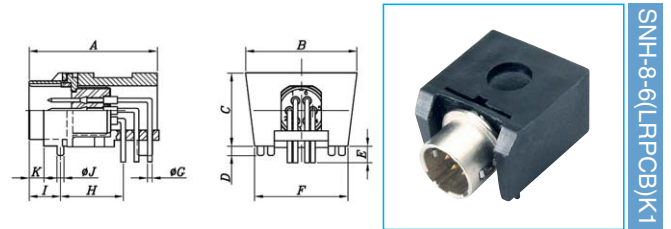
SNH Right Angle PCB Receptacle (Any Type)



Part Number	A	B	C	D	E	F	ØG	H	I	ØJ	K
SNH-8-4(LRPCB)K	19.2	12.8	12.0	1.3	2.4	13.2	0.7	9.4	4.7	1.0	3.2
SNH-8-6(LRPCB)K											

! SNH-8-4(LRPCB)K, SNH-8-6(LRPCB)K only mates with SNH-8-4(PS), SNH-8-6(PS) plugs.

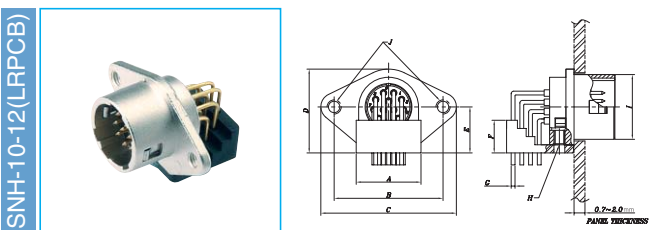
SNH Right Angle PCB Receptacle (Magic Type)



Part Number	A	B	C	D	E	F	ØG	H	I	ØJ	K
SNH-8-4(LRPCB)K1	19.2	16.7	11.0	1.3	2.4	14.0	0.7	9.4	4.7	1.0	2.2
SNH-8-6(LRPCB)K1											

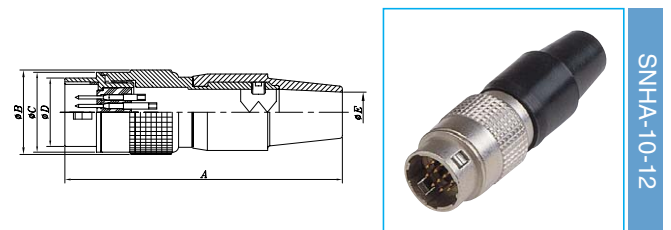
! SNH-8-4(LRPCB)K1, SNH-8-6(LRPCB)K1 only mates with SNH-8-4(PS), SNH-8-6(PS) plugs.

SNH Right Angle PCB Receptacle



Part Number	A	B	C	D	E	F	ØG	H	ØI	J
SNH-10-12(LRPCB)	11.9	20	24.9	15.4	8.5	6	0.7	M2.0 ×0.4P	11.9	M2.6 ×0.45P

SNHA Adapter



Part Number	A	ØB	ØC	ØD	ØE	Part Number	A	ØB	ØC	ØD	ØE
SNHA-8-4	40.2	11.5	10.9	8.8	5.1	SNHA-10-2	48.0	14.9	13.9	11.9	7.0
SNHA-8-5						SNHA-10-3					
SNHA-8-6						SNHA-10-4					
						SNHA-10-9					
	SNHA-10-10										
	SNHA-10-12										

SN Series – Cable Assembly Instruction

General Instruction / Information

- Diagram 1 shows a sample wiring for SN series.
- Soldering must be done quickly and carefully to prevent damage to insulator.
- Receptacles do not require additional instructions.

Wiring Sequence

- ① Select cable according to outer diameter and cross section, lower than 0.129mm^2 (AWG#26).
- ② Insert RUBBER BUSHING to cable.
- ③ Insert PLUG HOUSING to cable.
- ④ Strip cable per dimension given and loosen braid.
- ⑤ Secure PLUG BODY to jig for soldering.
- ⑥ Solder stripped cable to pin.
- ⑦ Fasten CRIMP using hand crimp tool (SA-HCT^①).
- ⑧ Lock PLUG HOUSING and PLUG BODY using tightening force displayed on Table 1.
- ⑨ Tighten WRENCH BOLT using 0.3N force onto one of two embossed parts of crimp.
- ⑩ Cover RUBBER BUSHING onto PLUG HOUSING.

^① See below for information on SA-HCT.

Diagram 1

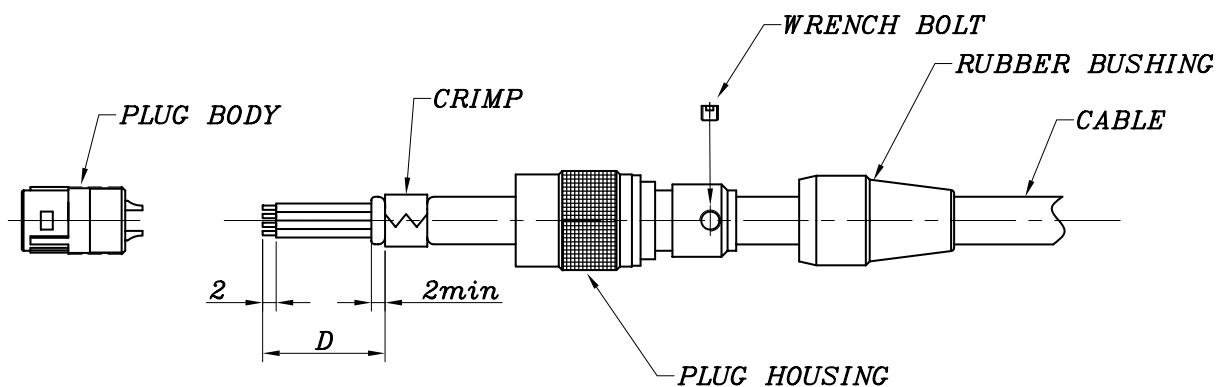


Table 1

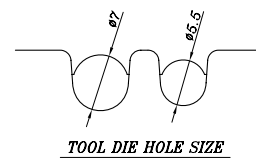
unit : mm

Size	Spanner Jaw	D (Dimension)	Tightening Force	Notes
SN - 8	8	10	1.5N · m (15kg · cm)	SA-HCT size Ø5.5
SN - 10	10	16	2.0N · m (20kg · cm)	SA-HCT size Ø7.0

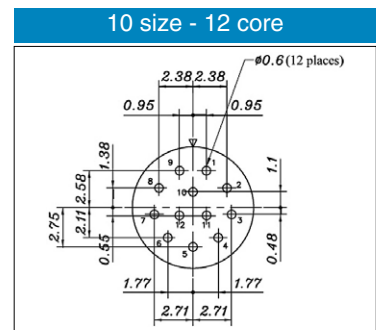
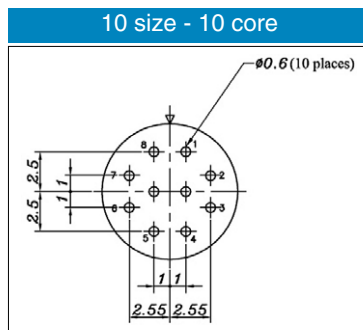
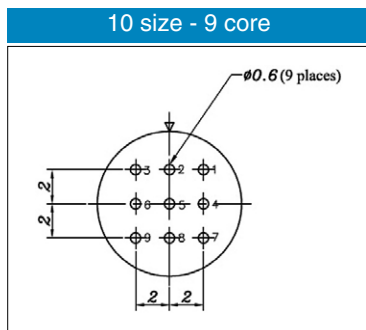
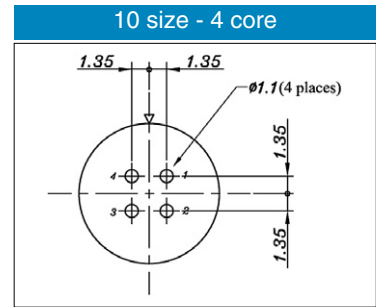
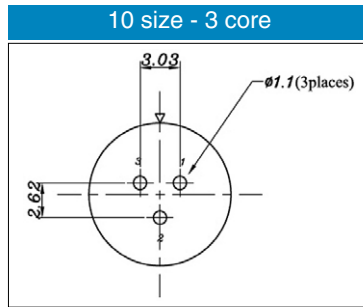
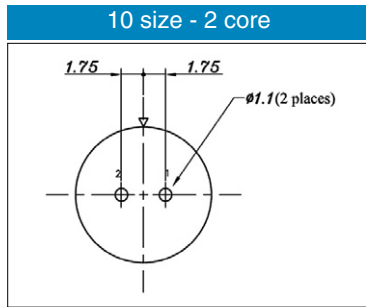
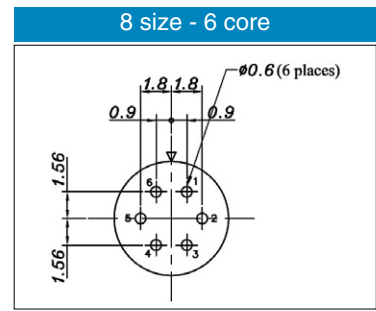
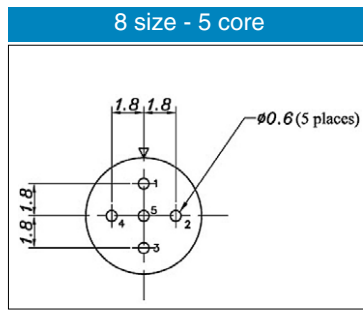
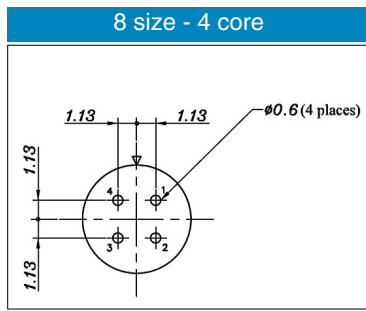
SA-HCT (Hand Crimp Tool)



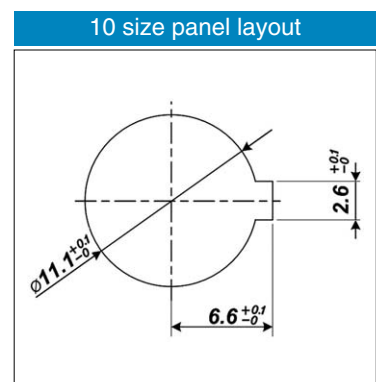
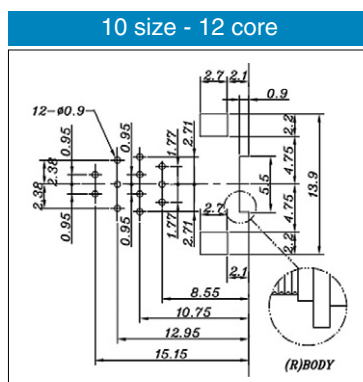
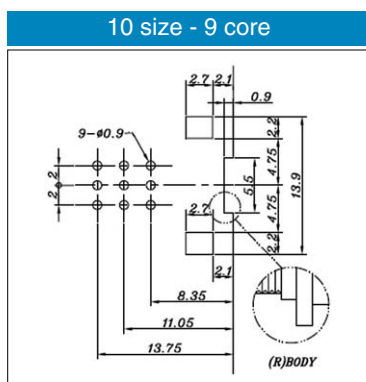
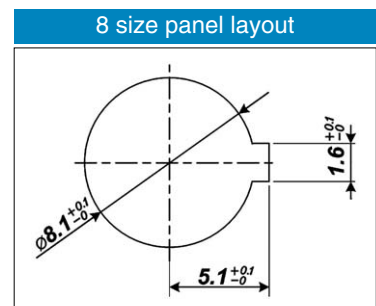
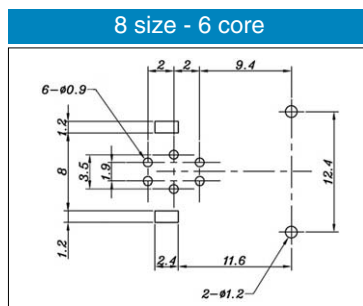
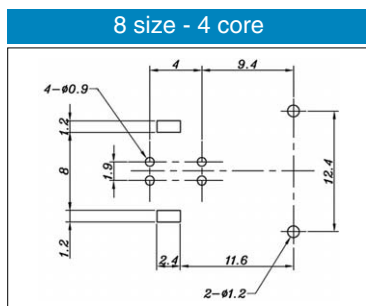
Specially designed for Sam Woo's connector, the low-cost and efficient SA-HCT provides the best crimping results.



SN Receptacle PCB Hole Layout



SN Receptacle Right Angle PCB Hole Layout



SN Receptacle Panel Layout