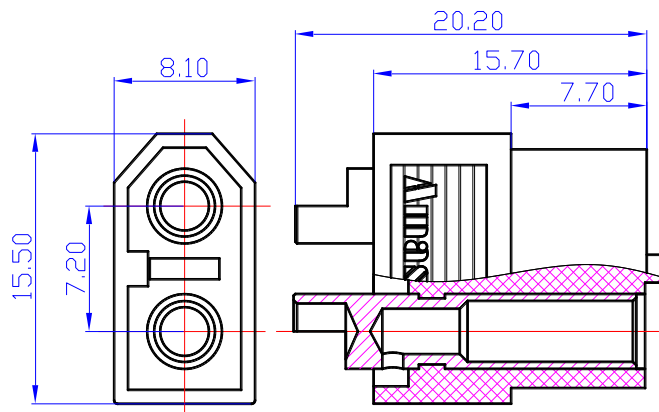


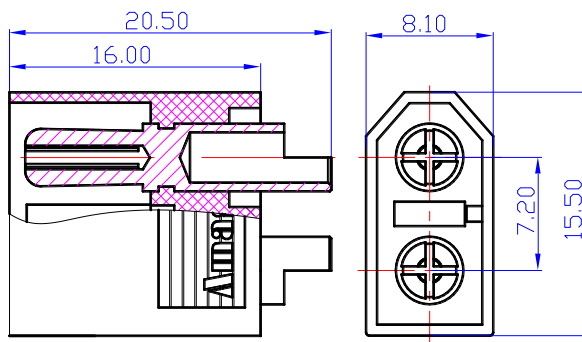
# DC XT60



XT60-F

## Material & Parameter

Item No.	XT60-F	CR	0.55mΩ
COLOR	<b>2</b> <b>3</b>		DC 500V
Metal Material	Brass Gold Plated	RC	30A
Plastic Material	PA	MC	60A
FR LEVEL	UL94 V0	USE TIMES	1000 TIMES
Recommend USE	BATTERY	Cable SPEC.	12AWG
CERTIFICATION	---	TEMPERATURE	-20°C to 120°C



XT60-M

## Material & Parameter

Item No.	XT60-M	CR	0.55mΩ
COLOR	<b>2</b> <b>3</b>		DC 500V
Metal Material	Brass Gold Plated	RC	30A
Plastic Material	PA	MC	60A
FR LEVEL	UL94 V0	USE TIMES	1000 TIMES
Recommend USE	CONTROLLER	Cable SPEC.	12AWG
CERTIFICATION	---	TEMPERATURE	-20°C to 120°C