

A13-144B



FEATURES

* RATING: 16A 12V/24V DC

* MATERIAL

Housing: PBT with glass fiber (UL 94-HB).

Inner contact: nickel plated metal.

Contact: nickel plated metal.

Nut: POM.

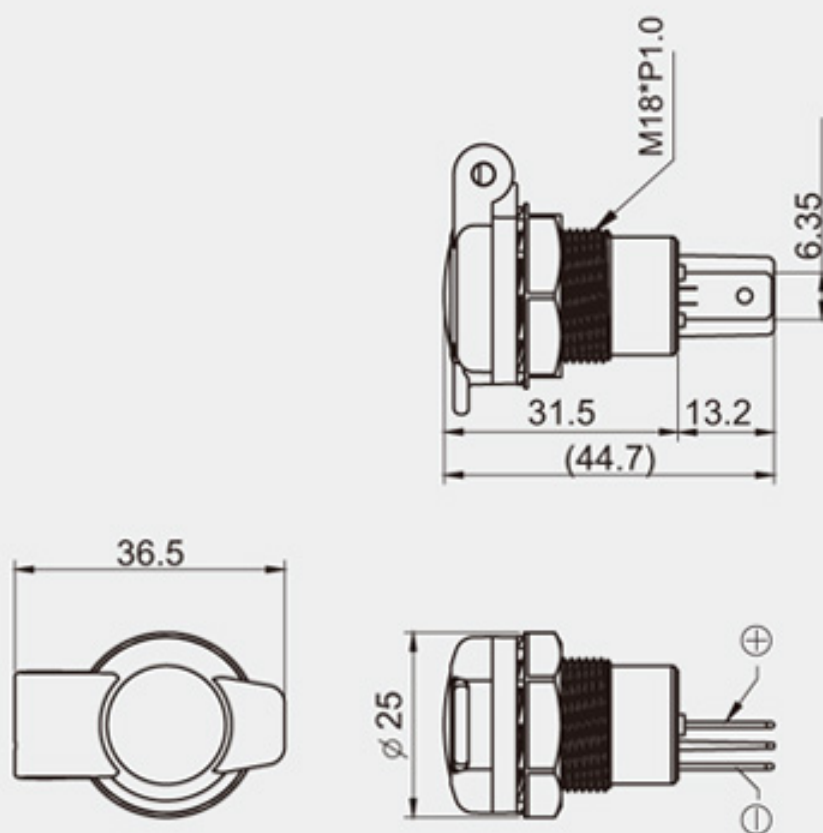
Dust-proof cap: PA.

* With dust-proof cap.

* With parallel 6.4 mm snap-in terminals, fitting for standard & universal plug.

* Fastened by hexagon nut, fitting panels of different thickness.

* Fits with ϕ 12 plugs.



Mounting hole

