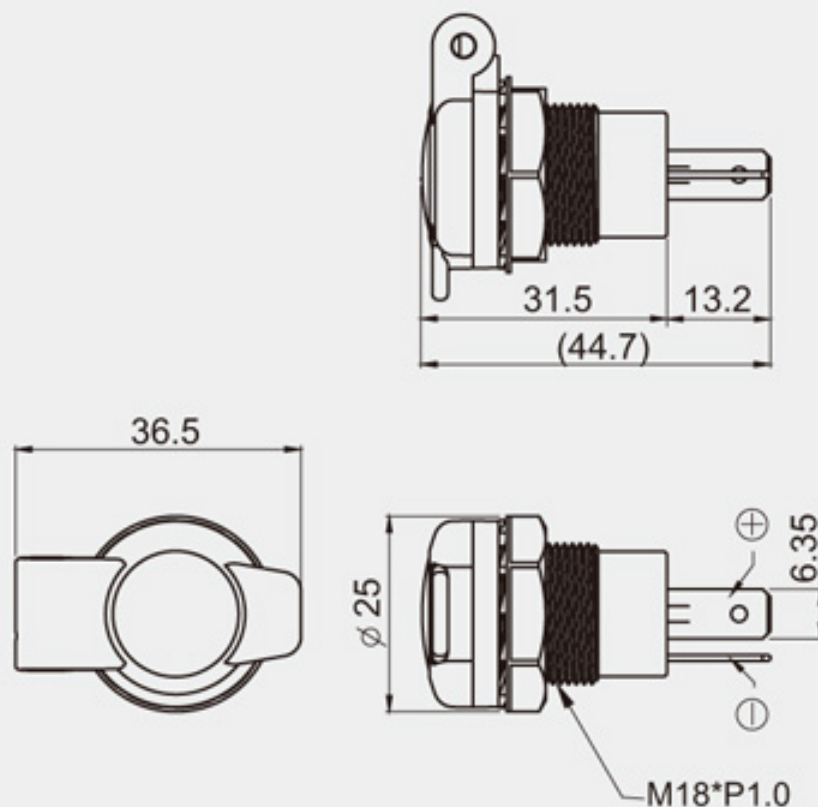


A13-144



FEATURES

- * RATING: 16A 12V/24V DC
- * MATERIAL
Housing: PBT with glass fiber (UL 94-HB).
Inner contact: nickel plated metal.
Contact: nickel plated metal.
Nut: POM.
Dust-proof cap: PA.
- * With dust-proof cap.
- * With 6.4 mm snap-in terminals, fitting for standard & universal plug.
- * Fastened by hexagon nut, fitting panels of different thickness.
- * Fits with $\phi 12$ plugs.



Mounting hole

