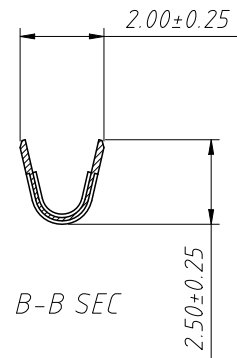
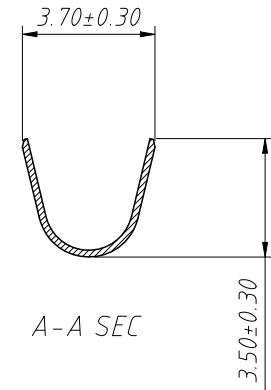
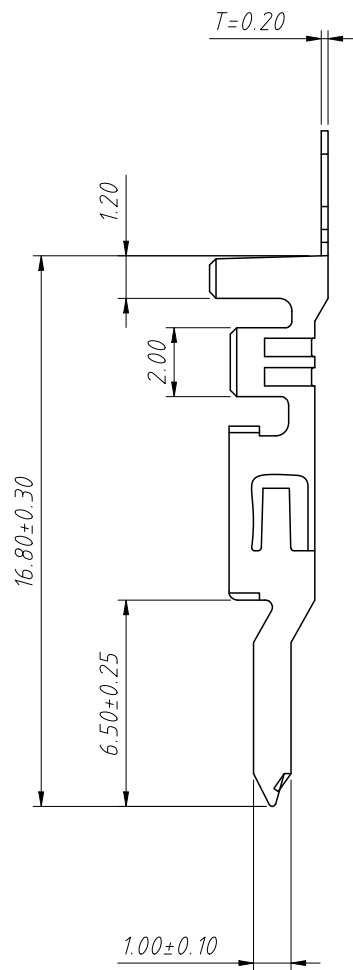
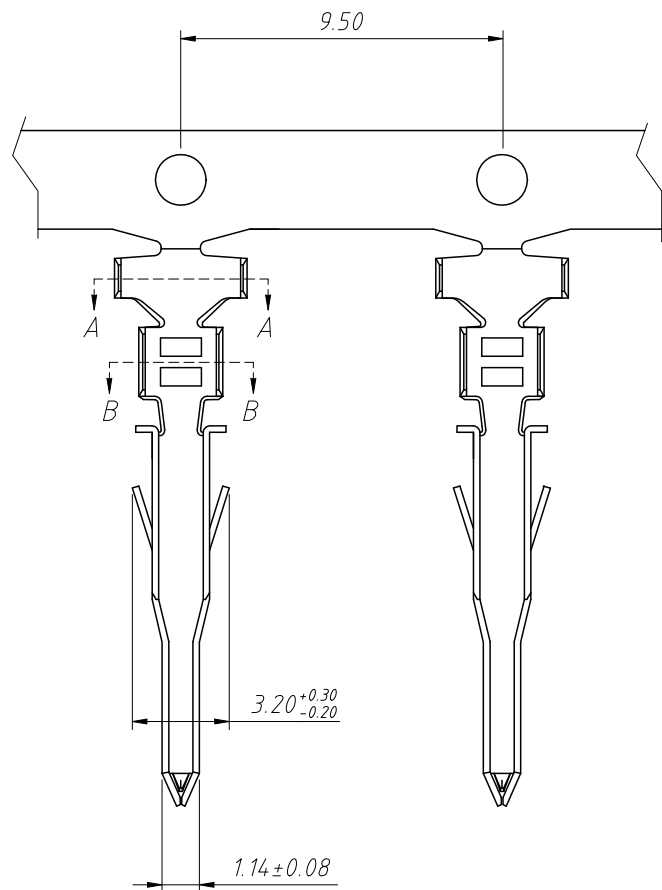


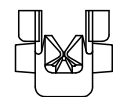
RoHS Compliance



Material:
 Terminal: Brass
 Finish: Tin Plated
 Applicable wire: AWG#20-#24
Electrical Characteristics:
 Rated Current: 7.0A AC,DC
 Voltage rating: 600V AC,DC
 Temperature range: -25°C ~ +85°C
 Insulator Resistance: 1000MΩ Min
 Withstanding Voltage: 1500V AC/minute
 Contact Resistance: 20mΩ Max

Order Information:
 L-KLS1-4.20-MT

L: RoHS
 Pitch: 4.20mm
 Type:
 MH / FH -Hosing
 MT / FT -Terminal
 W1-Without ear



ANGLE TOLERANCE	PROJECTION	Description:	4.20mm Pitch Mini-Fit JR 5556 5557 5559 5566 5569 Wire To Board Connector
±3°			
GENERAL TOLERANCE	UNITS	mm	KLS P/N: L-KLS1-4.20-MT
x.x ±0.30	SHEET SIZE	A4	
x.xx ±0.20	Draw:	Daniel	2021-01-11
x.xxx ±0.10	Check:	Daniel	2021-01-11

