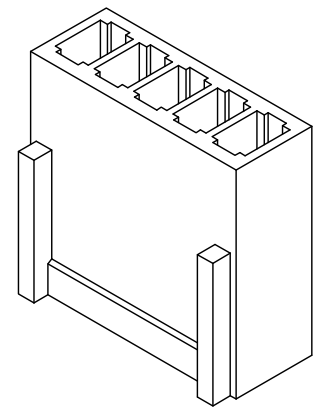
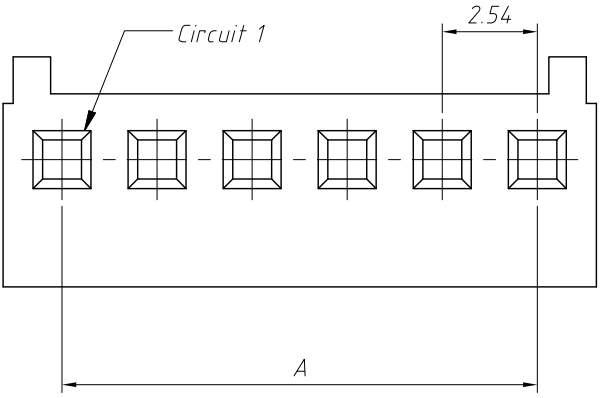
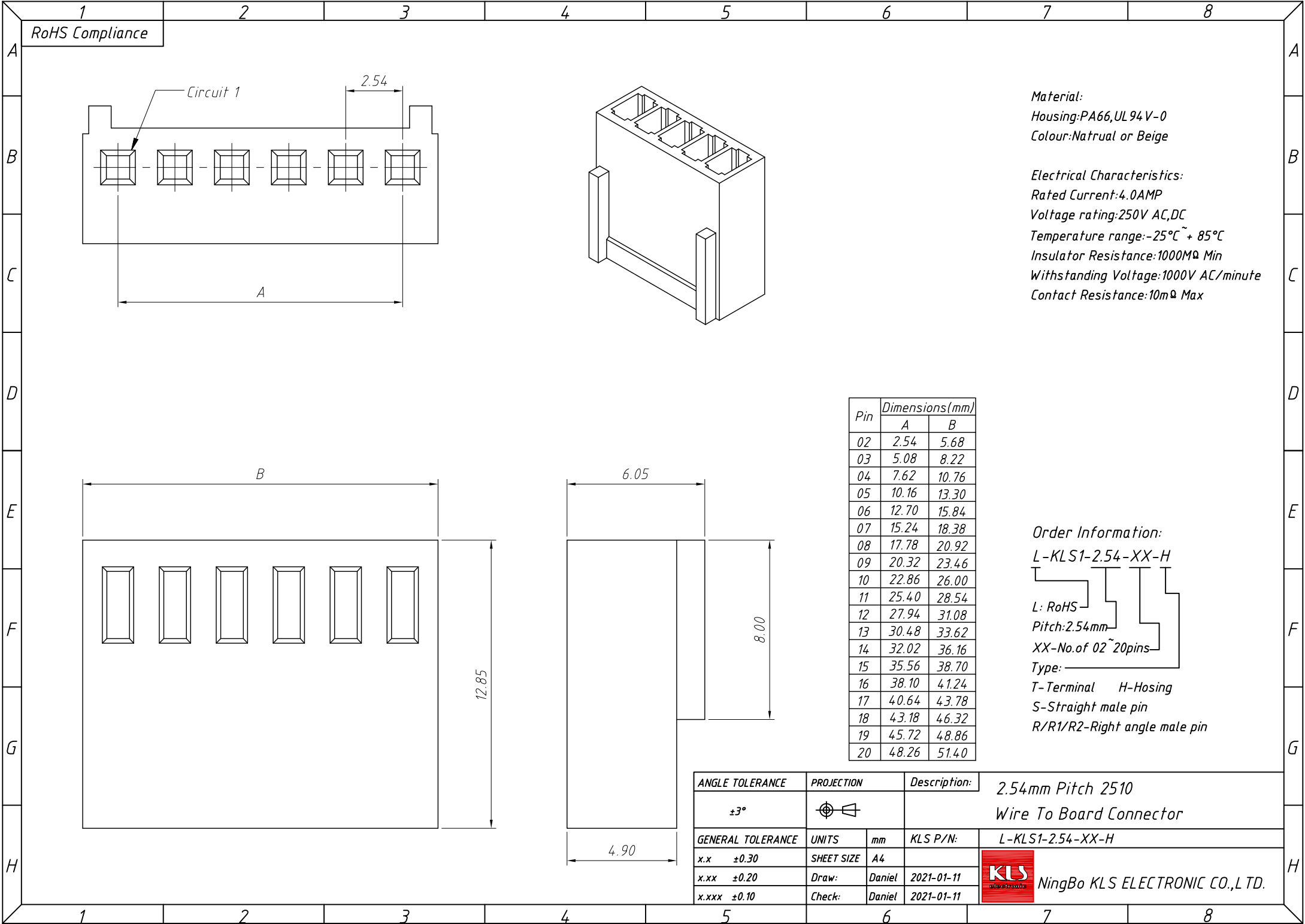
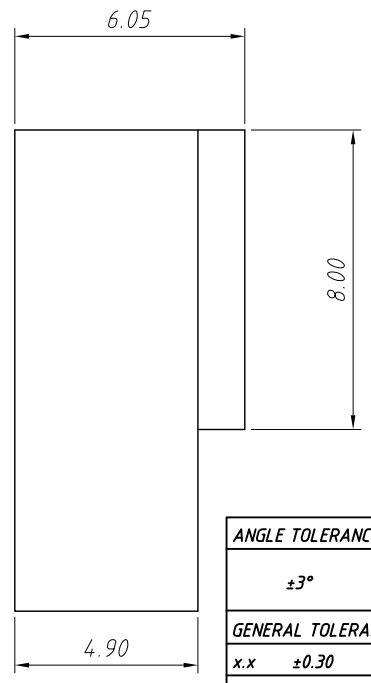
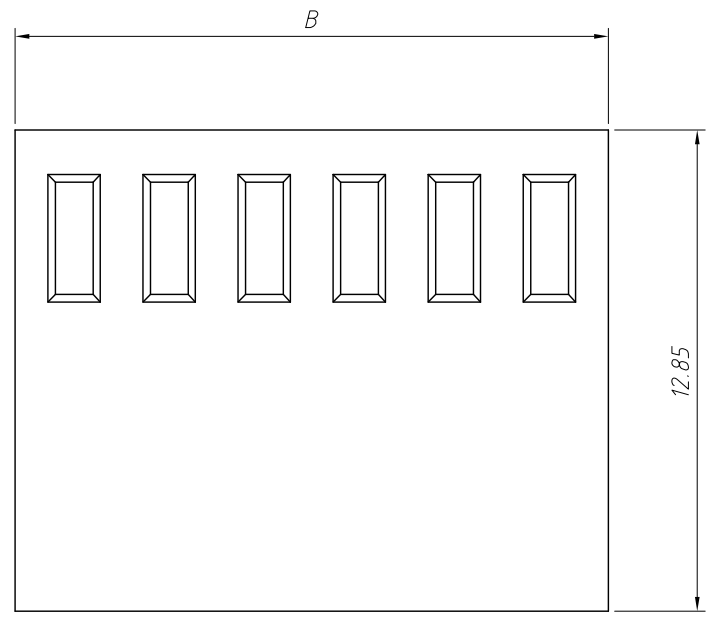


1  
RoHS Compliance



**Material:**  
Housing: PA66, UL94V-0  
Colour: Natural or Beige

**Electrical Characteristics:**  
Rated Current: 4.0AMP  
Voltage rating: 250V AC, DC  
Temperature range: -25°C ~ +85°C  
Insulator Resistance: 1000MΩ Min  
Withstanding Voltage: 1000V AC/minute  
Contact Resistance: 10mΩ Max

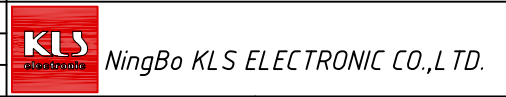


Pin	Dimensions(mm)	
	A	B
02	2.54	5.68
03	5.08	8.22
04	7.62	10.76
05	10.16	13.30
06	12.70	15.84
07	15.24	18.38
08	17.78	20.92
09	20.32	23.46
10	22.86	26.00
11	25.40	28.54
12	27.94	31.08
13	30.48	33.62
14	32.02	36.16
15	35.56	38.70
16	38.10	41.24
17	40.64	43.78
18	43.18	46.32
19	45.72	48.86
20	48.26	51.40

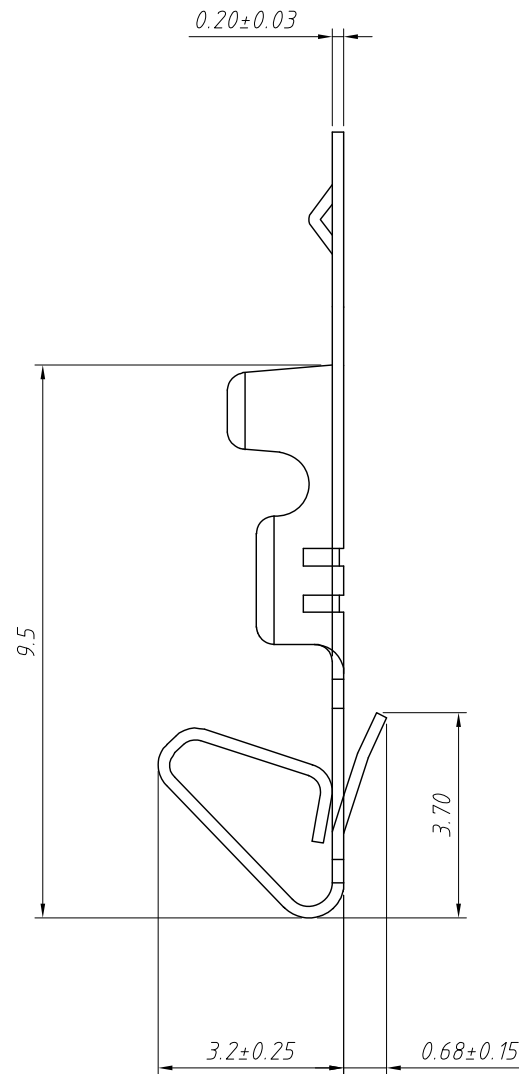
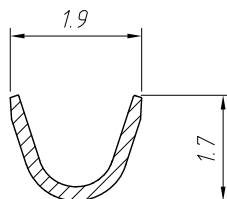
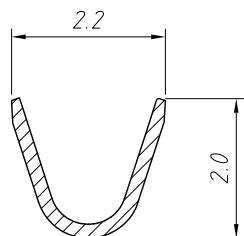
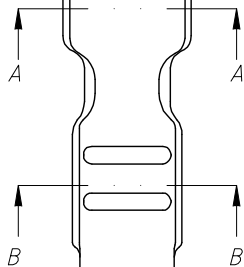
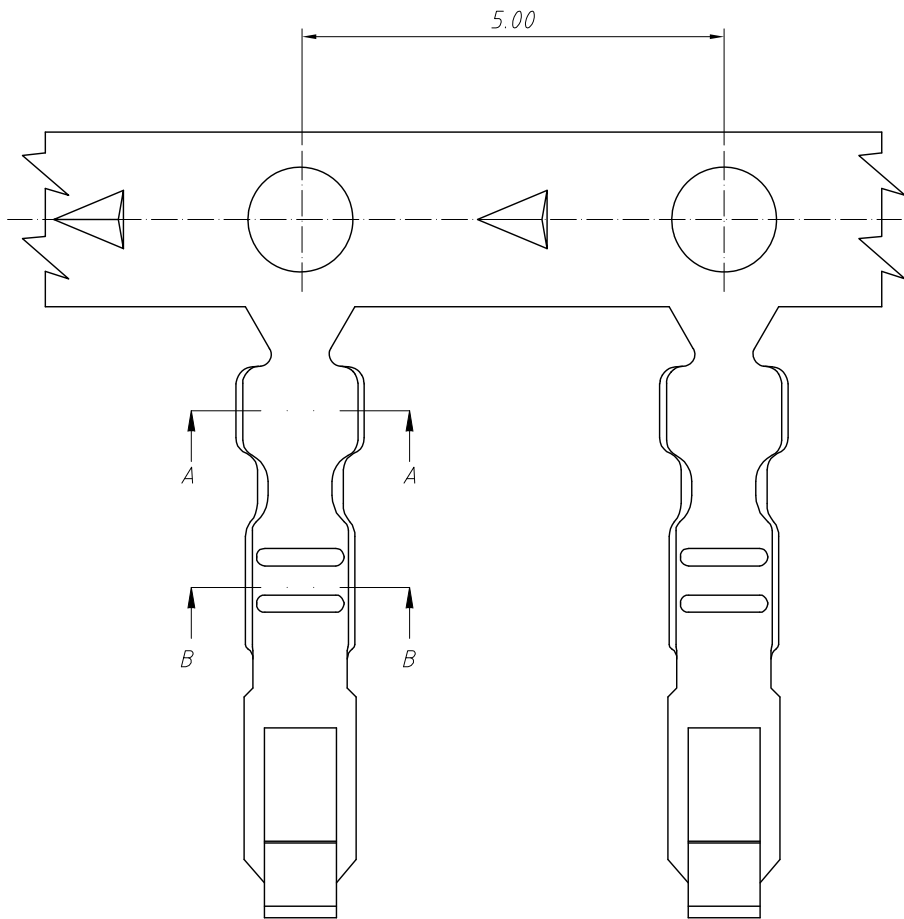
**Order Information:**  
L-KLS1-2.54-XX-H

L: RoHS  
Pitch: 2.54mm  
XX-No. of 02 ~ 20pins  
Type: \_\_\_\_\_  
T-Terminal H-Hosing  
S-Straight male pin  
R/R1/R2-Right angle male pin

ANGLE TOLERANCE	PROJECTION	Description:	2.54mm Pitch 2510
±3°			Wire To Board Connector
GENERAL TOLERANCE	UNITS	mm	KLS P/N:
x.x ±0.30	SHEET SIZE	A4	L-KLS1-2.54-XX-H
x.xx ±0.20	Draw:	Daniel	2021-01-11
x.xxx ±0.10	Check:	Daniel	2021-01-11



1 RoHS Compliance



**Material:**  
 Terminal: Phosphor Bronze  
 Plating: Tin plated over Nickel  
 Applicable wires: AWG #22 ~ #28  
 Insulation O.D.: 1.5mm  
 Qty/reel: 10000 pcs

**Electrical Characteristics:**  
 Rated Current: 4.0AMP  
 Voltage rating: 250V AC, DC  
 Temperature range: -25°C ~ +85°C  
 Insulator Resistance: 1000MΩ Min  
 Withstanding Voltage: 1000V AC/minute  
 Contact Resistance: 10mΩ Max

**Order Information:**  
 L-KLS1-2.54-T

L: RoHS  
 Pitch: 2.54mm  
 Type: \_\_\_\_\_  
 T-Terminal H-Hosing  
 S-Straight male pin  
 R/R1/R2-Right angle male pin

ANGLE TOLERANCE	PROJECTION	Description:	2.54mm Pitch 2510
±3°			Wire To Board Connector
GENERAL TOLERANCE	UNITS	mm	KLS P/N:
x.x ±0.30	SHEET SIZE	A4	L-KLS1-2.54-T
x.xx ±0.20	Draw:	Daniel	2021-01-11
x.xxx ±0.10	Check:	Daniel	2021-01-11



NingBo KLS ELECTRONIC CO.,LTD.