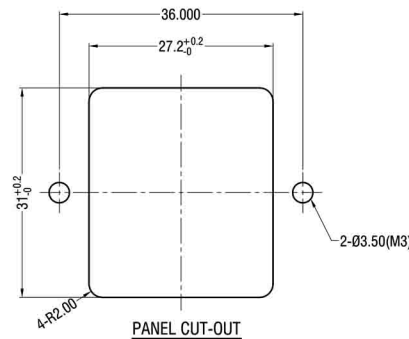
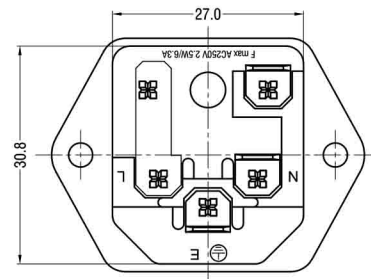
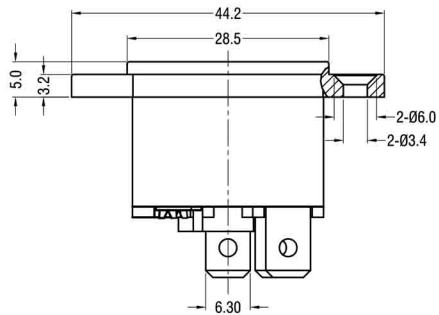
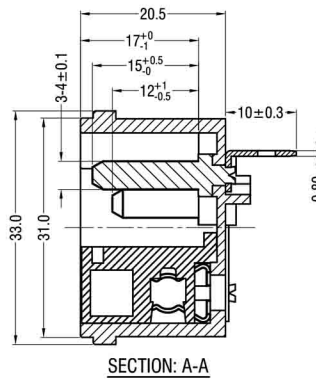
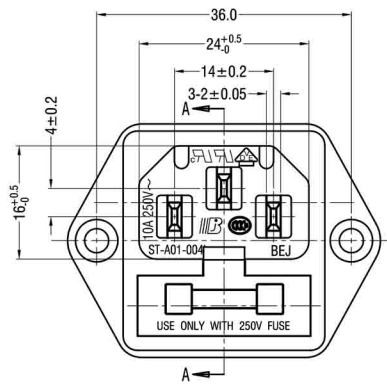


**RoHS  
Compliant  
Drawing For  
Reference Only**



**SPEC:**

**A. Material:**

- 1. Housing: PBT
- 2. Terminal: COPPER ALLOY, TIN PLATED

**B. Electrical Characteristics:**

- 1. Rating: 10A 250V~
- 2. Electric Strength: AC 2,000 V FOR ONE MINUTE
- 3. Insulation Resistance: 100MΩ MIN, AT 500V DC

**C. Approvals:**

- UL, CUL, CCC, VDE

**Technical requirement :**

- 1. This product should meet EU RoHS related requirement.
- 2. The surface of plastic part should be without any crackle such as burr, lack, and so on phenomenon.
- 3. The surface of metal part should be without any defect such as scaur, nick, oxidation and plating problem.
- 4. The electronic performance should be the same as spec.

Common Tolerance	
DIMENSION:	ANGLE:
0.0 ±0.3	±3°
0.00 ±0.20	
0.000 ±0.100	

**DCI DRAGON CITY INDUSTRIES LIMITED**

Item Name	AC SOCKET	Tolerance :	Design	K.W Law	Remark	Scale
Item No.	AS-230-UL-EN	Unit : mm	Drawing	W.K Yeung	Remark	Material
			Check	K.L Wong	Remark	Drawing No. A706261330
			Approval	K.W Chan	Remark	Sheet