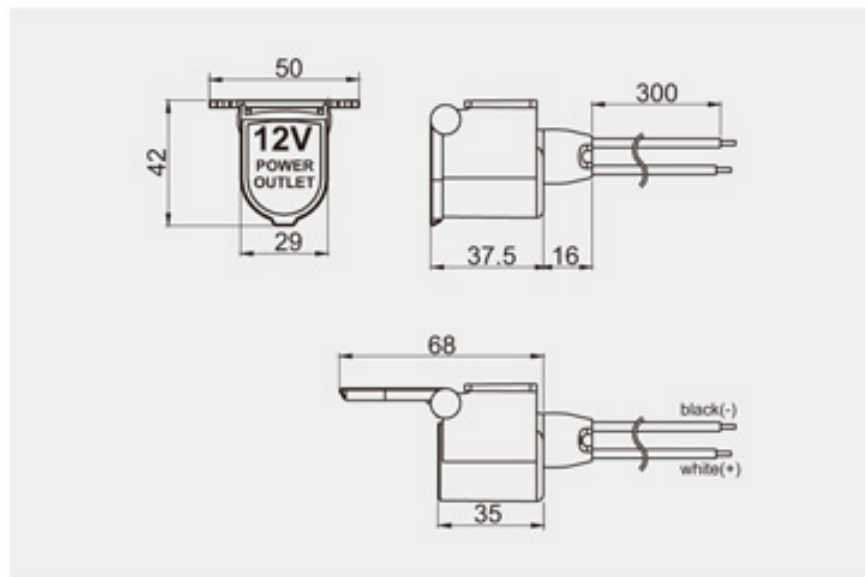


A13-166



FEATURES

- * RATING: 20A max 12V DC or 20A max 24V DC
- * MATERIAL:
 - Housing: PBT(UL 94V-0).
 - Inner contact: nickel plated metal.
 - Contact: nickel plated metal.
- * Watertight sealing cap.
- * SeaLink locking system.
- * Compatible with standard 12V plugs.
- * Fits with \varnothing 21 plugs.

Mounting hole

