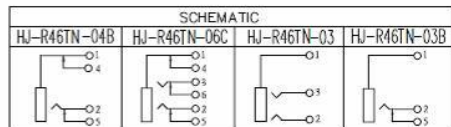
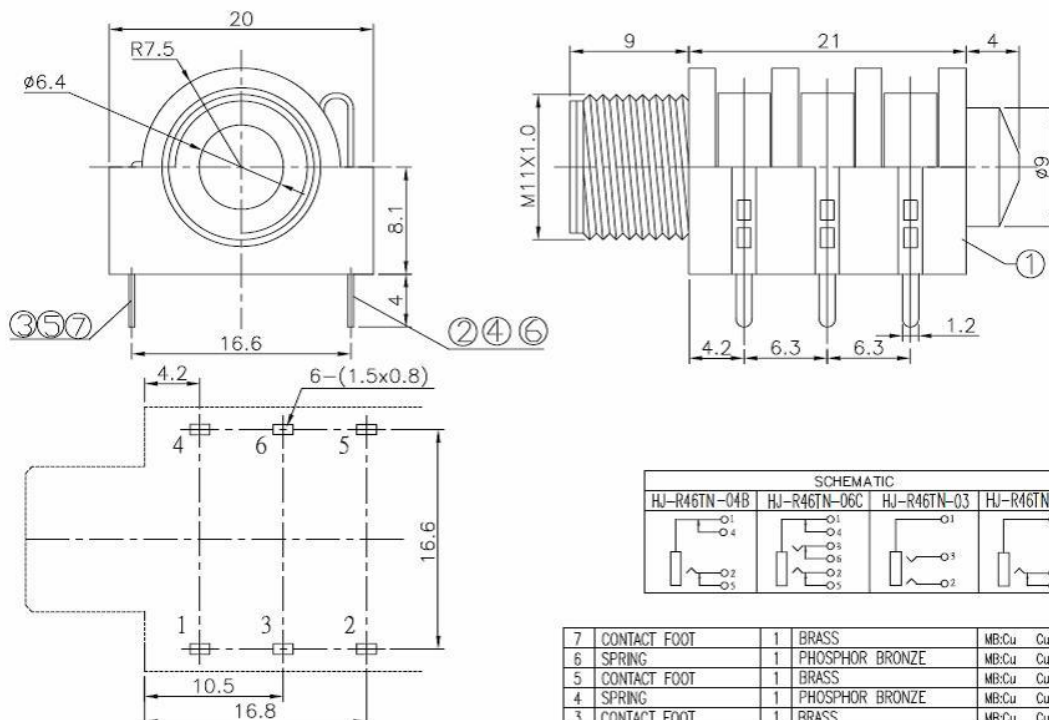
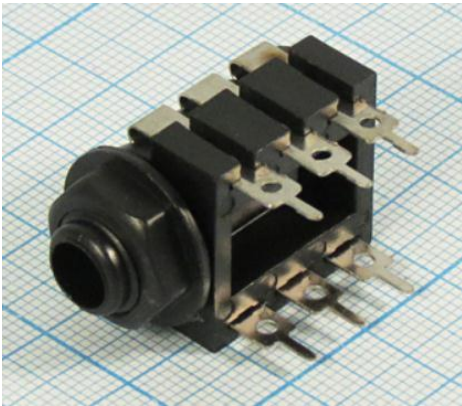


Разъем 6,3 мм стерео, гнездо на плату и панель, с выключателем.

арт. Q-2060



7	CONTACT FOOT	1	BRASS	MB:Cu Cu/Sn PLATED
6	SPRING	1	PHOSPHOR BRONZE	MB:Cu Cu/Sn PLATED
5	CONTACT FOOT	1	BRASS	MB:Cu Cu/Sn PLATED
4	SPRING	1	PHOSPHOR BRONZE	MB:Cu Cu/Sn PLATED
3	CONTACT FOOT	1	BRASS	MB:Cu Cu/Sn PLATED
2	SPRING	1	PHOSPHOR BRONZE	MB:Cu Cu/Sn PLATED
1	HOUSING	1	PC	
LTR	PART NAME	QTY	MATERIAL	REMARK

T:1.6 Dimensions of PC board holes
Tolerance : ±0.1(Printed-top view)

UNLESS OTHERWISE SPECIFIED, TOLERANCE ON DECIMAL: ±0.3