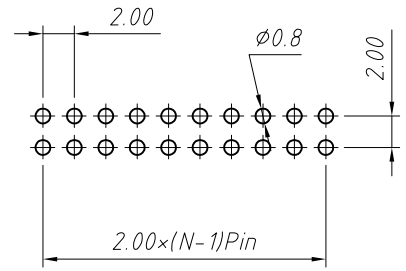
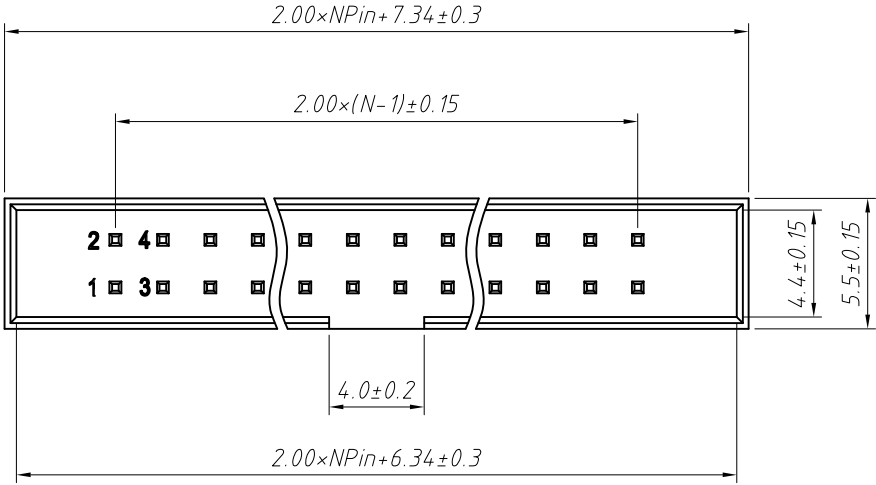


1
RoHS Compliance

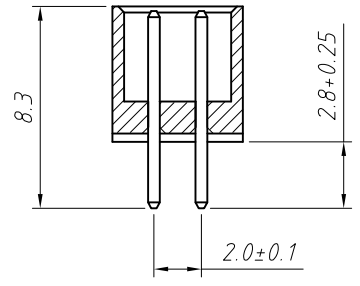
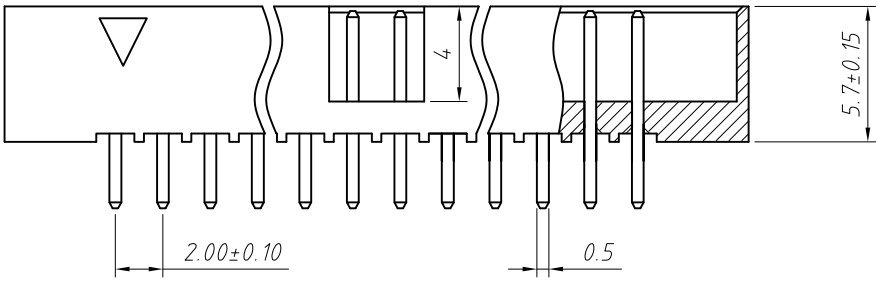


Material:
Housing: PA6T, UL94V-0
Contact: Brass
Plating: Gold plated

Electrical Characteristics:
Rated Current: 1.5AMP
Contact Resistance: 20mΩ Max
Withstand Voltage: 400V AC/DC
Insulator Resistance: 800MΩ Min

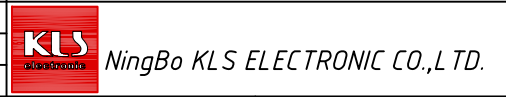
Recommended P.C.B Layout (Top Side)
(PCB BOARD TOLERANCE ±0.05)

Mechanical
Operating Temperature: -40°C ~ +105°C
Max. Processing Temp: 230°C for 30-60 seconds (260°C for 10 seconds)



Order Information:
L-KLS1-202B-XX-S-B-□
L: RoHS
Box Header Series
202B: 2.00mm Pitch
XX-No. of 06 ~ 64 pin
Type: S-Straight pin
R-Right Angle Pin T-SMT
Color: B-Black G-Gray
Material: NONE=PA6T
A=PBT C=LCP

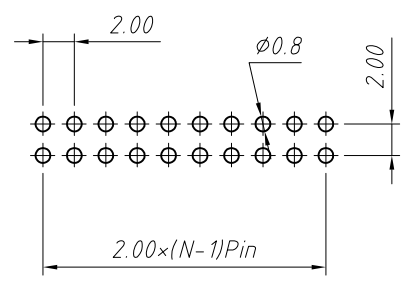
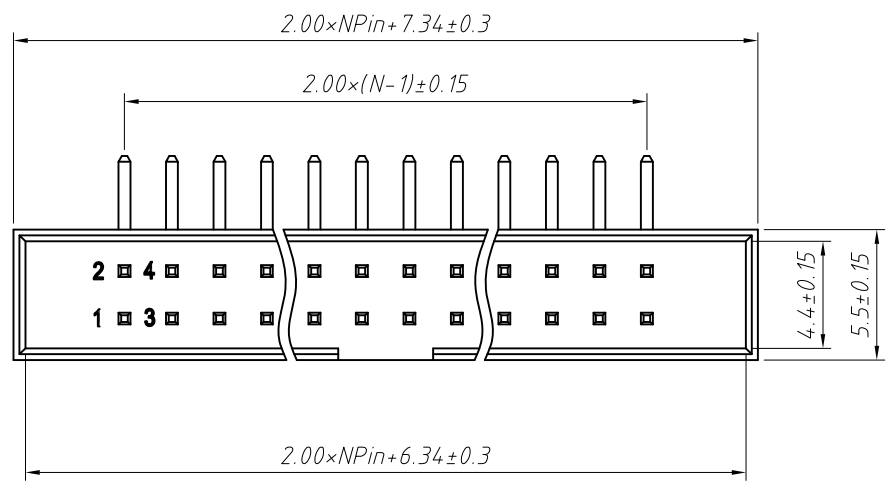
ANGLE TOLERANCE	PROJECTION	Description:	
±3°		2.00mm Pitch Box Header Connector	
GENERAL TOLERANCE	UNITS	mm	KLS P/N:
x.x ±0.30	SHEET SIZE	A4	L-KLS1-202B-XX-S-B-□
x.xx ±0.20	Draw:	Daniel	2018-07-10
x.xxx ±0.10	Check:	Daniel	2018-07-10



1
RoHS Compliance

2 3 4 5 6 7 8

A
B
C
D
E
F
G
H

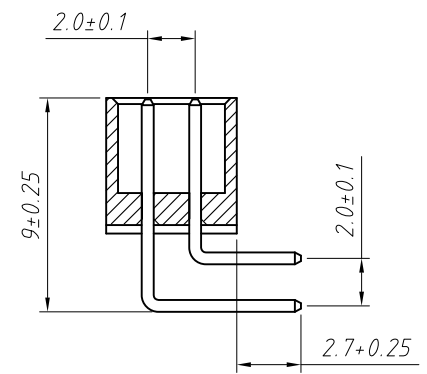
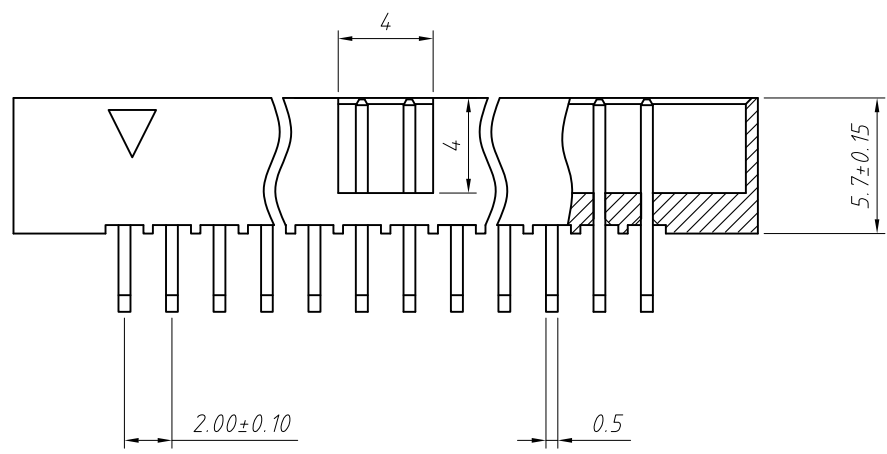


Material:
Housing:PA6T,UL94V-0
Contact:Brass
Plating:Gold plated

Electrical Characteristics:
Rated Current: 1.5AMP
Contact Resistance: 20mΩ Max
Withstand Voltage: 400V AC/DC
Insulator Resistance: 800MΩ Min

Recommended P.C.B Layout (Top Side)
(PCB BOARD TOLERANCE±0.05)

Mechanical
Operating Temperature: -40°C~+105°C
Max.Processing Temp:230°C for 30-60 seconds (260°C for 10 seconds)



Order Information:

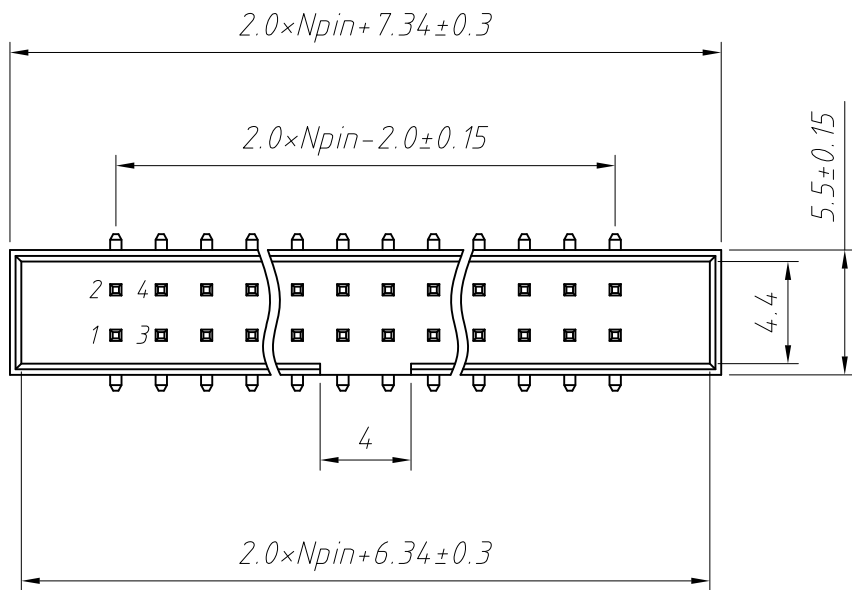
L-KLS1-202B-XX-R-B-□
L: RoHS
Box Header Series
202B:2.00mm Pitch
XX-No.of 06~64 pin
Type:S-Straight pin
R-Right Angle Pin T-SMT
Color:B-Black G-Gray
Material:NONE=PA6T
A=PBT C=LCP

ANGLE TOLERANCE	PROJECTION	Description:	
±3°		2.00mm Pitch Box Header Connector	
GENERAL TOLERANCE	UNITS	mm	KLS P/N:
x.x ±0.30	SHEET SIZE	A4	L-KLS1-202B-XX-R-B-□
x.xx ±0.20	Draw:	Daniel	2018-07-10
x.xxx ±0.10	Check:	Daniel	2018-07-10

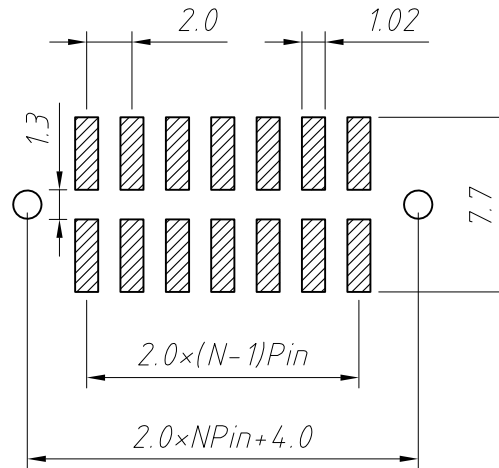


NingBo KLS ELECTRONIC CO.,LTD.

1 2 3 4 5 6 7 8



Recommended PCB Layout (Top Side)
PCB Board Tolerance±0.05



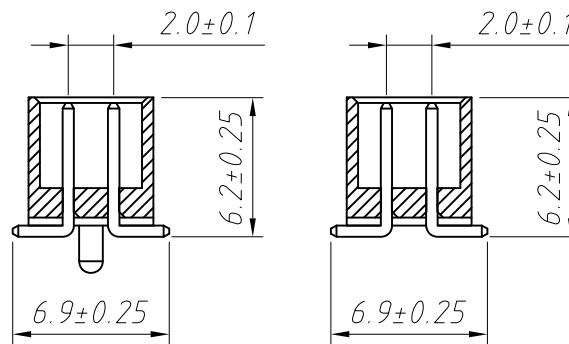
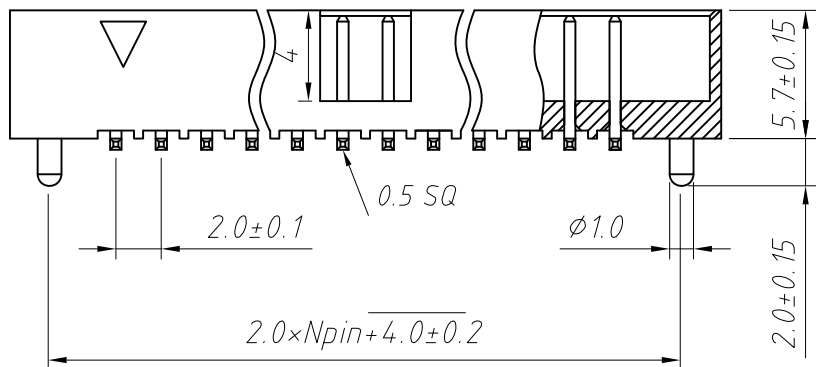
Material:
Housing:PA6T,UL94V-0
Contact:Brass
Plating:Gold plated

Electrical Characteristics:

Rated Current: 1.5AMP
Contact Resistance: 20mΩ Max
Withstand Voltage: 400V AC/DC
Insulator Resistance: 800MΩ Min

Mechanical

Operating Temperature: -40°C ~ +105°C
Max.Processing Temp:230°C for 30-60 seconds (260°C for 10 seconds)



T3=With Post

T=Without Post

Order Information:

L-KLS1-202B-XX-T-B-□-T

L: RoHS
Box Header Series
202B:2.00mm Pitch
XX-No.of 06 ~ 64 pin
SMT:T=Without Post
T3=With Post
Color:B=Black G=Gray
Material:NONE=PA6T
A=PBT C=LCP
Packing:
T=Tube P=Tube+Cap R=Reel+Cap

GENERAL TOLERANCE	PROJECTION		Description:
X. ±0.50	UNITS	mm	2.00mm Pitch Box Header Connector
.X ±0.25	SCALE	1:1	
.XX ±0.10	Draw by:	Jenny	
ANGLE TOLERANCE	Check by:		KLS P/N: L-KLS1-202B-XX-T-B-□-T
X. ±5°	Date	2018-03-01	NingBo KLS ELECTRONIC CO.,L TD.
.X ±3°	SHEET	1 OF 1	
.XX ±2°			