

BOM LIST			
ITEM	PART NAME	Q'ty	NOTES
1	PLASTIC HOOD	2	ABS
2	2.1 LONG BOLT	2	#4-40
	2.2 SHORT BOLT	2	#4-40
3	NUT	2	M3
4	LONG SCREW	2	M3
5	SMALL WASHER	2	
6	SHORT SCREW	2	M3
7	METAL WASHER	2	M3

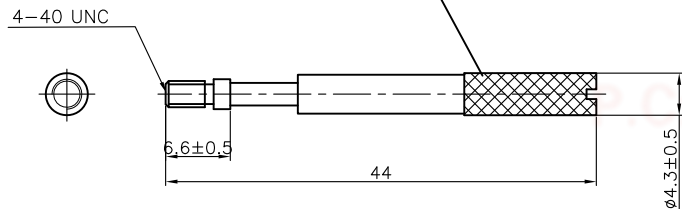
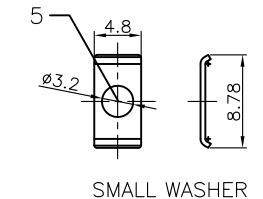
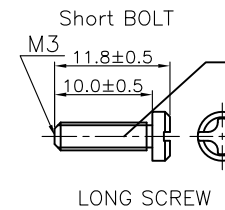
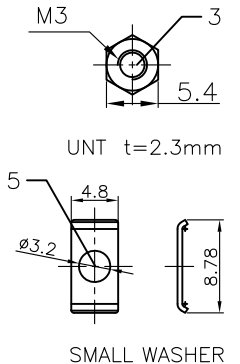
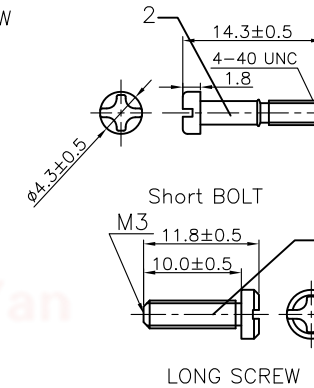
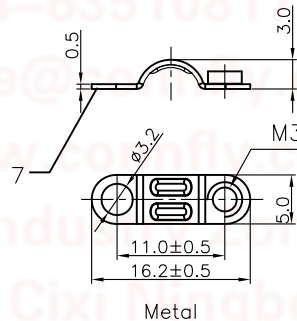
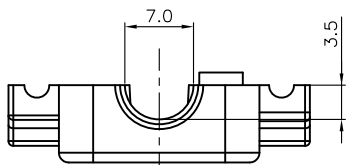
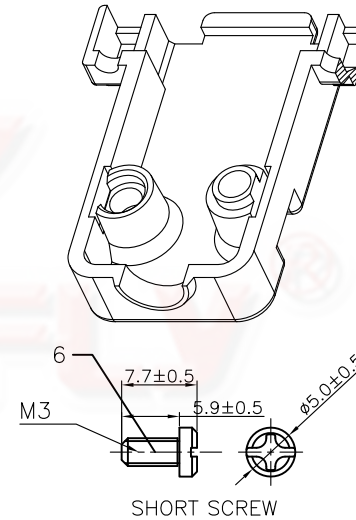
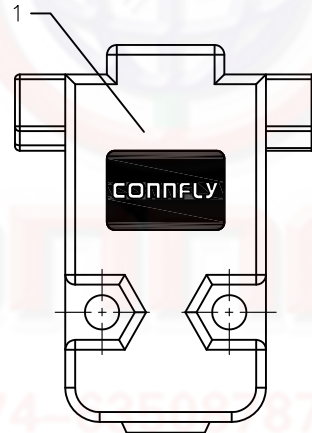
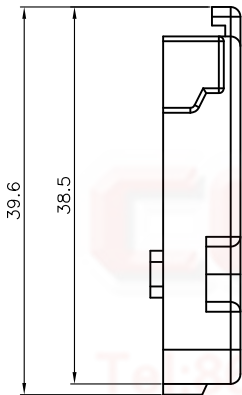
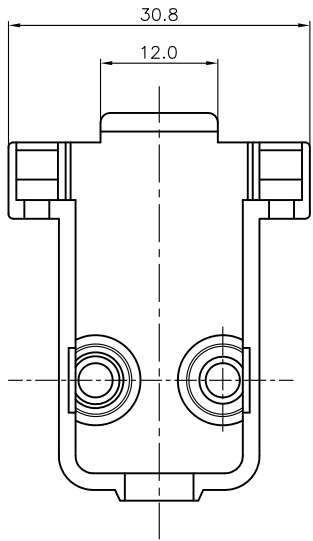
REV.	DESCRIPTION	DRAWN	CHECKED	APPROVED
A	NEW RELEASE	LJH 08/13/05'	~	LJC 08/13/05'
B	整理图画	YCH 09/13/07'	~	LJC 05/20/10'
C	改M3*12的螺钉为M3*10	YCH 08/30/10'	~	LJC 08/30/10'
E	DRAWING UPDATE	JLZ 05/19/16'	~	

NOTES:

1. PART NUMBER CODE:

DS1046 - 09 X X X X

- Washer type  
1: Metal
- Bolt type  
L: Long  
S: Short
- Packing type  
1: Mix packing
- Cover Material  
C: Chromium plating
- Position  
09: 9pin



GENERAL TOLERANCE	ANGLE TOLERANCE
X. ±0.60	X. ±5°
.X ±0.38	.X ±3°
.XX ±0.25	.XX ±2°

PROJECTION	TITLE
UNITS: mm	D-SUB 9pin Hood Chromium Plated
SHEET SIZE: A4	SERIES: DS1046 SERIES

DRAWING TYPE	COSTOMER
SCALE: 1:1	SHEET: 1 OF 1
DRAWING NO.: C-DS1046-09XXXX-E	

**CONNFLY** 晨翔电子有限公司  
CONNFLY ELECTRONIC CO. LTD