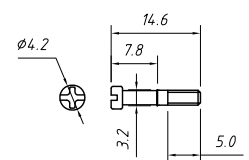
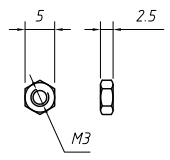
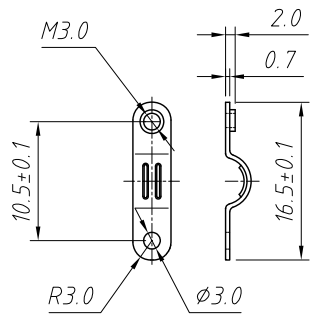


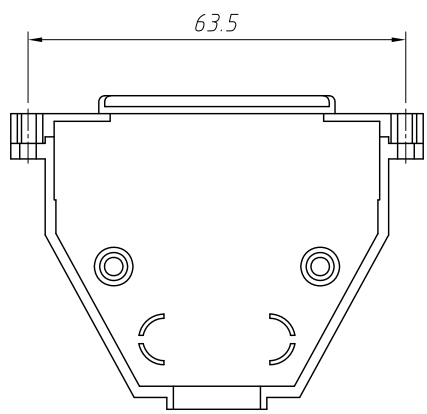
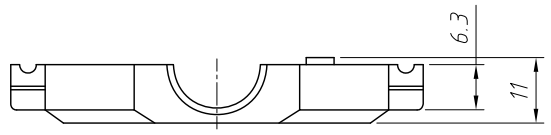
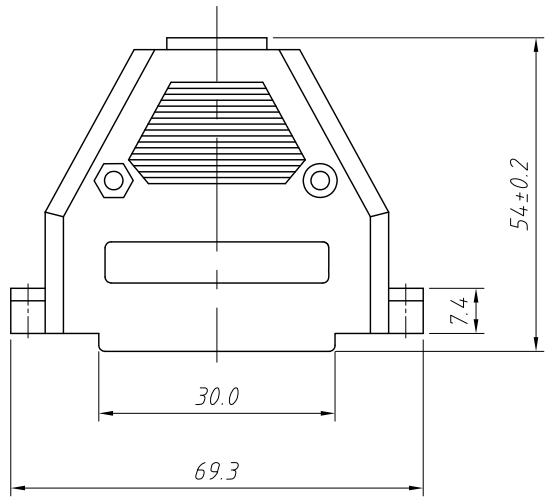
1
RoHS Compliance



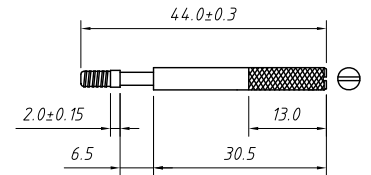
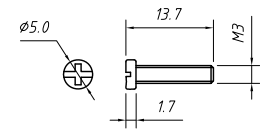
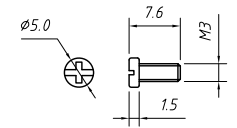
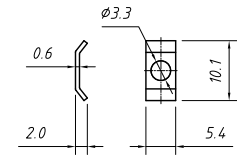
Short screw

Order Information:
L-KLS1-DB-37P-S-G

L: RoHS
XXP-No.of
09,15,25,37,50pins
Screw:S-Short screw
L-Long screw
Color: G-Gray B-Black



Cover Material: ABS Plastic
Screw Material: STEEL



Long screw

ANGLE TOLERANCE		PROJECTION		Description:	
±3°				D-SUB HOOD PLASTIC MATERIAL (09-37Pin)	
GENERAL TOLERANCE		UNITS	mm	KLS P/N:	L-KLS1-DB-37P-S-G
x.x	±0.30	SHEET SIZE	A4		
x.xx	±0.20	Draw:	Daniel	2020-11-11	NingBo KLS ELECTRONIC CO.,L TD.
x.xxx	±0.10	Check:	Daniel	2020-11-11	