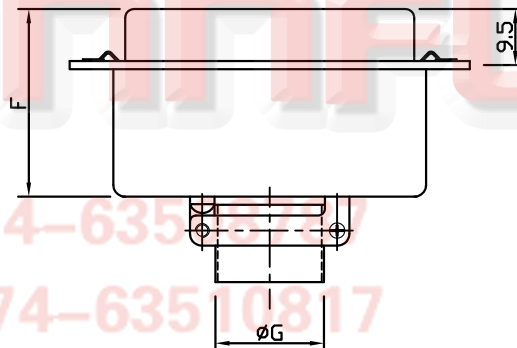
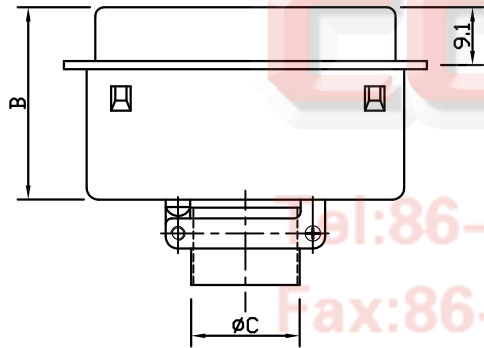
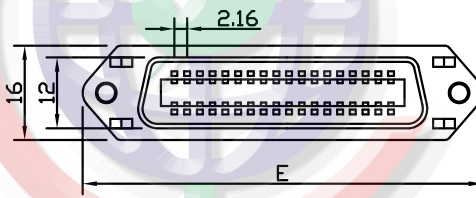
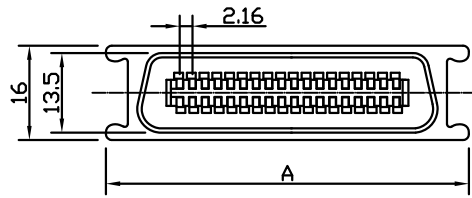


REV.	DESCRIPTION	DRAWN	CHECKED	APPROVED
A	NEW RELEASE	HP 17/06/05	~	LJC 17/06/05
B	DIM. CHANGE	YCH 06/27/07	~	LJC 06/27/07'
C	ADD P/N CODE	JLZ 11/05/14'	~	

Male

Female



Shell Size	A	B	C
24pin	49.0	30.0	ø10.0
36pin	61.5	30.2	ø13.0
50pin	76.7	33.0	ø13.0

Shell Size	E	F	G
24pin	54.8	30.0	ø10.0
36pin	67.8	31.8	ø13.0
50pin	82.9	33.0	ø13.0

NOTES:

1. MATERIALS

- . Insulator: Thermoplastic(UL 94V 0)
- . Contact: Copper alloy
- . Shell: Steel
- . Hood: Steel
- . Washer: Steel

2. SPECIFICATION

- . Current Rating: 3A
- . Dielectric withstanding voltage: 500V For 1 minute
- . Insulator Resistance: 1000MΩ min
- . Temperature Range: -40°C ~ +105°C

3. PRODUCT NUMBER CODE:

DS1078 - X X X X

Color of housing

L:Blue

B:Black

CONTACT PLATED

O: Selective gold flash

Connector type

M: Male

F: Female

No. of contacts

24: 24pin

36: 36pin

50: 50pin

Tel:86-574-63510817
 Fax:86-574-63510817
 E-mail:sale@connfly.com
 http://www.connfly.com
 Add:East Industry Zone KuangYan
 Town Cixi Ningbo China
 P.C:315333

GENERAL TOLERANCE	ANGLE TOLERANCE	PROJECTION		TITLE	CENTRONIC CONNECTORS SOLDER	
X. ±0.60	X. ±5°	UNITS	mm	SHEET SIZE	A4	SERIES DS1078
.X ±0.38	.X ±3°	DRAWING TYPE	CUSTOMER	晨翔电子有限公司 CONNFLY CONNFLY ELECTRONIC CO. LTD		
.XX ±0.25	.XX ±2°	SCALE	1:1 SHEET 1 OF 1			
DRAWING NO.	C-DS1078-XXXX-C					