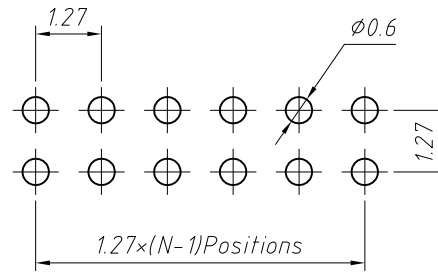
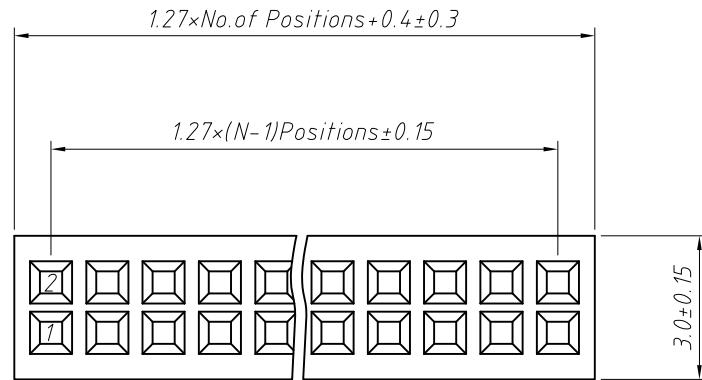
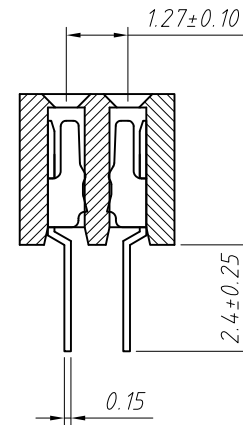
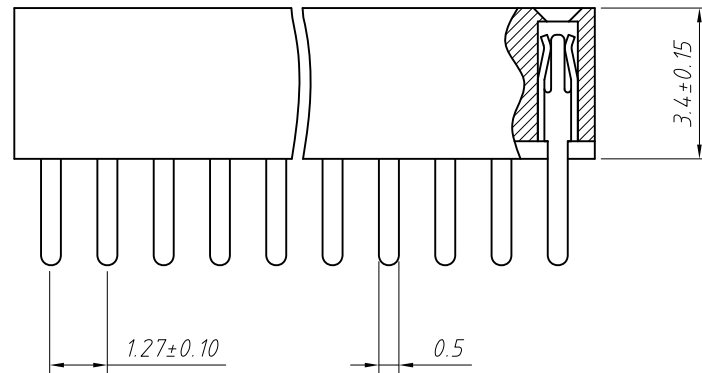


1
RoHS Compliance



Recommended P.C.B Layout (Top Side)
(PCB BOARD TOLERANCE ± 0.05)



Material:
Standard: PA6T/LCP
Contact: Phosphor Bronze
Plating: Au or Sn Over Ni
Insulator: Polyester, UL94 V-0

Electrical Characteristics:
Rated Current: 1.0AMP
Contact Resistance: 20mΩ Max
Withstand Voltage: 500V AC/DC
Insulator Resistance: 1000MΩ Min

Mechanical
Operating Temperature: -40°C ~ +105°C
Max. Processing Temp: 230°C for 30-60 seconds (260°C for 10 seconds)

Order Information:
L-KLS1-208C-3.4-2-XX-S-B

L: RoHS
Female Header
Series 208C: 1.27mm
Plastics Height: 3.4mm
Per Row: Double layer
Pin: No. of Pins (02 ~ 80)
Type: Straight Pin
Material: B=PA6T C=LCP

| | | | |
|-------------------|------------|--------------|---|
| ANGLE TOLERANCE | PROJECTION | Description: | 1.27x3.4mm Female Header Double layer, Straight Pin, 2xN Pin |
| ±3° | | | |
| GENERAL TOLERANCE | UNITS | mm | KLS P/N: L-KLS1-208C-3.4-2-XX-S-B |
| x.x ±0.30 | SHEET SIZE | A4 | |
| x.xx ±0.20 | Draw: | Daniel | 2018-07-10 |
| x.xxx ±0.10 | Check: | Daniel | 2018-07-10 |



NingBo KLS ELECTRONIC CO., L TD.