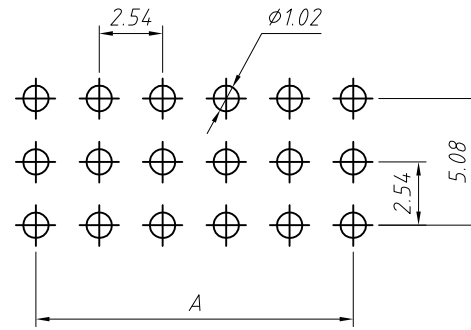
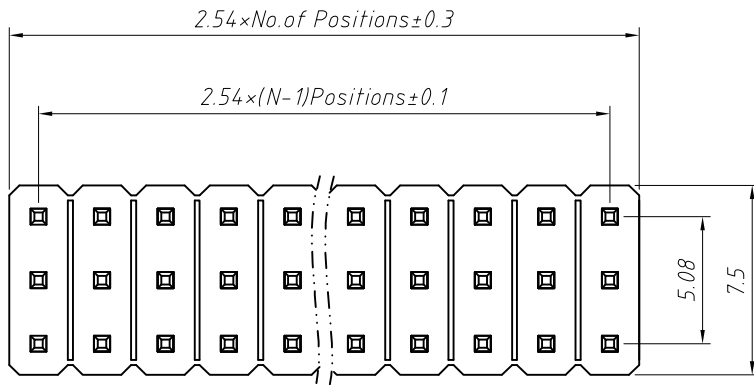


RoHS Compliance

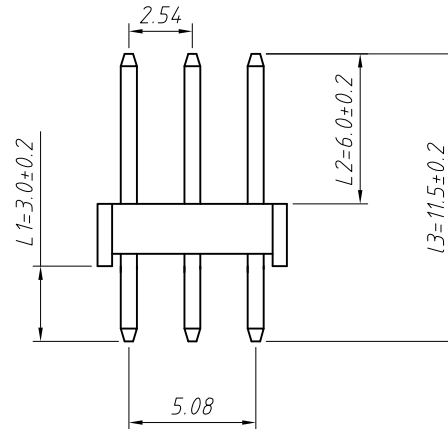
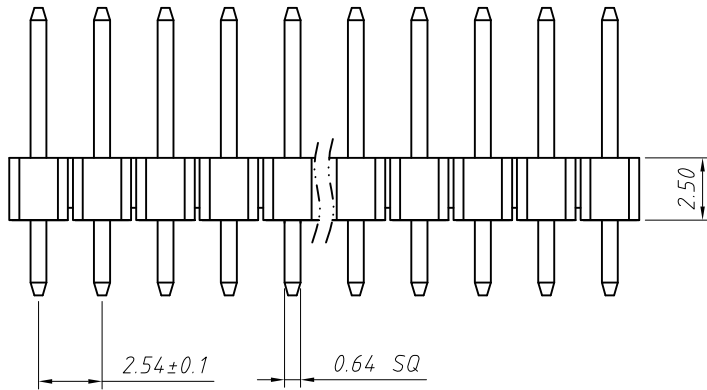


Recommended P.C.B Hole Layout

Material:
Standard: PA6T
Contact: Brass
Insulator: Polyester, UL94V-0

Electrical Characteristics:
Rated Current: 3AMP
Contact Resistance: 20mΩ Max
Withstand Voltage: 1000V AC/DC
Insulator Resistance: 1000MΩ Min

Mechanical
Operating Temperature: -40°C ~ +105°C



Order Information:
L-KLS1-207-3-XX-S-L1xL2xL3-G0

L: RoHS
Pin Header Series:
 207: 2.54mm
Per Row: Three layer
Pin No. of Pins (03 ~ 120)
Type: Straight Pin
Size: L1xL2xL3
Plating:
 G0=Gold Flash G1=1u" Gold
 G10=10u" Gold G15=15u" Gold
 G30=30u" Gold

Dimension antitheses list (mm)				
ITEM	L1	L2	L3	Plastic Height
Standard	3.0	6.0	11.5	2.50
Nonstandard	---	---	---	---

ANGLE TOLERANCE	PROJECTION	Description:	2.54x2.5Pin Header	
±3°		Three layer, Straight Pin, 3xN Pin		
GENERAL TOLERANCE	UNITS	mm	KLS P/N:	L-KLS1-207-3-XX-S-L1xL2xL3-G0
x.x ±0.30	SHEET SIZE	A4		NingBo KLS ELECTRONIC CO.,L TD.
x.xx ±0.20	Draw:	Daniel	2018-07-10	
x.xxx ±0.10	Check:	Daniel	2018-07-10	