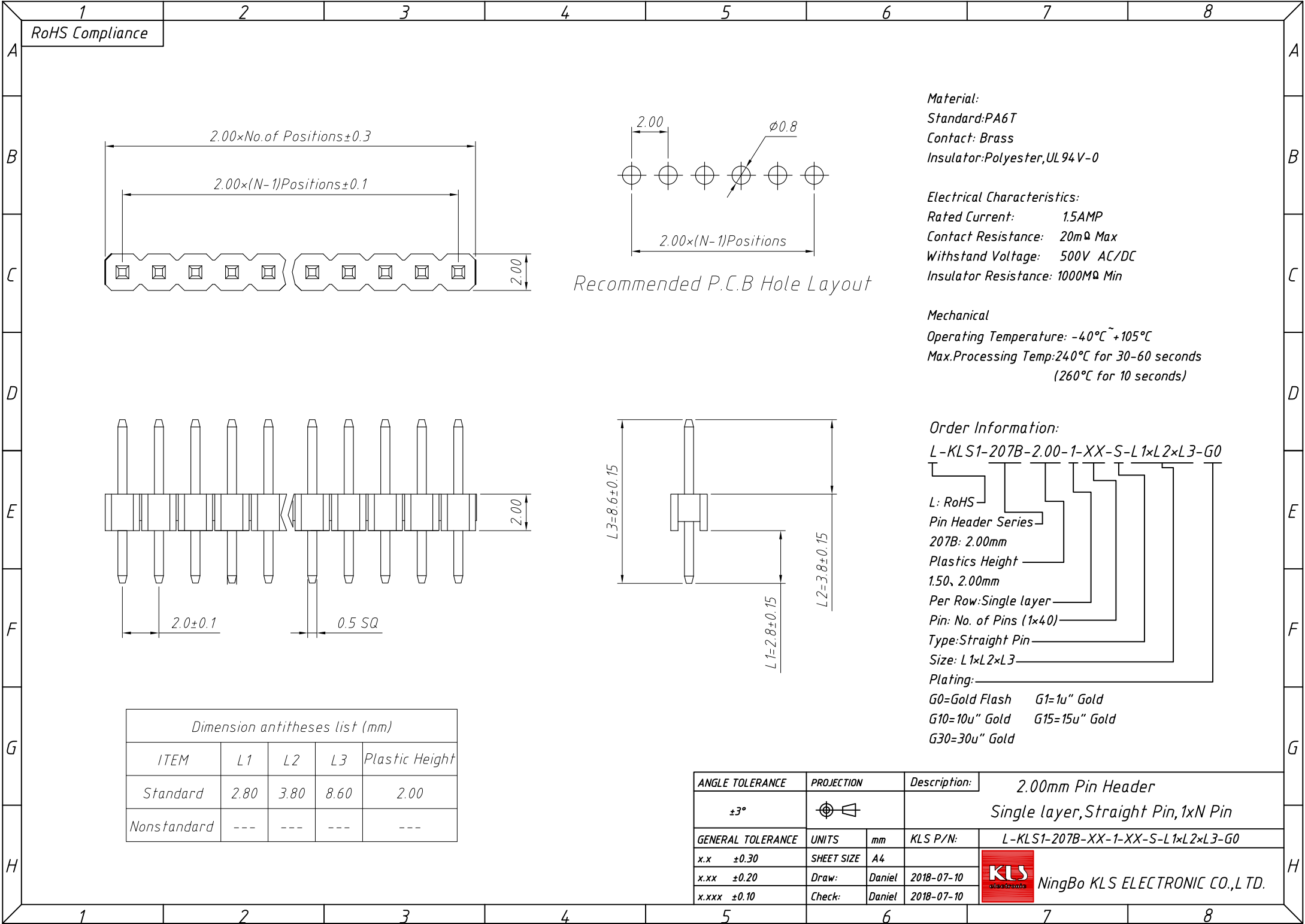


1  
RoHS Compliance



Recommended P.C.B Hole Layout

Material:  
Standard: PA6T  
Contact: Brass  
Insulator: Polyester, UL94V-0

Electrical Characteristics:  
Rated Current: 1.5AMP  
Contact Resistance: 20mΩ Max  
Withstand Voltage: 500V AC/DC  
Insulator Resistance: 1000MΩ Min

Mechanical  
Operating Temperature: -40°C ~ +105°C  
Max. Processing Temp: 240°C for 30-60 seconds  
(260°C for 10 seconds)

Order Information:  
L-KLS1-207B-2.00-1-XX-S-L1xL2xL3-G0

L: RoHS  
Pin Header Series  
207B: 2.00mm  
Plastics Height  
1.50, 2.00mm  
Per Row: Single layer  
Pin: No. of Pins (1x40)  
Type: Straight Pin  
Size: L1xL2xL3  
Plating:  
G0=Gold Flash G1=1u" Gold  
G10=10u" Gold G15=15u" Gold  
G30=30u" Gold

Dimension antitheses list (mm)

ITEM	L1	L2	L3	Plastic Height
Standard	2.80	3.80	8.60	2.00
Nonstandard	---	---	---	---

ANGLE TOLERANCE	PROJECTION	Description:	2.00mm Pin Header
$\pm 3^\circ$			Single layer, Straight Pin, 1xN Pin
GENERAL TOLERANCE	UNITS	mm	KLS P/N: L-KLS1-207B-XX-1-XX-S-L1xL2xL3-G0
x.x $\pm 0.30$	SHEET SIZE	A4	NingBo KLS ELECTRONIC CO.,L TD.
x.xx $\pm 0.20$	Draw:	Daniel 2018-07-10	
x.xxx $\pm 0.10$	Check:	Daniel 2018-07-10	

1 RoHS Compliance

2 3 4 5 6 7 8

A

B

C

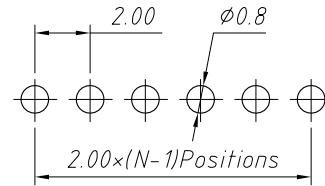
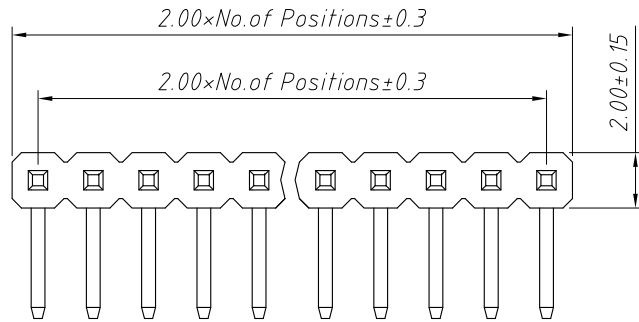
D

E

F

G

H

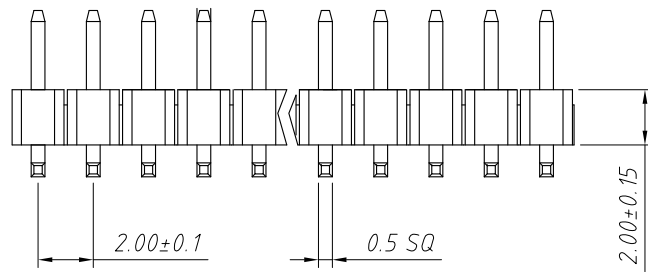


Recommended P.C.B Hole Layout

Material:  
Standard:PBT  
Contact:Phosphor bronze  
Insulator:Polyester,UL94V-0

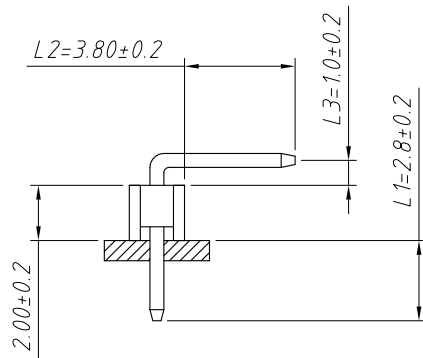
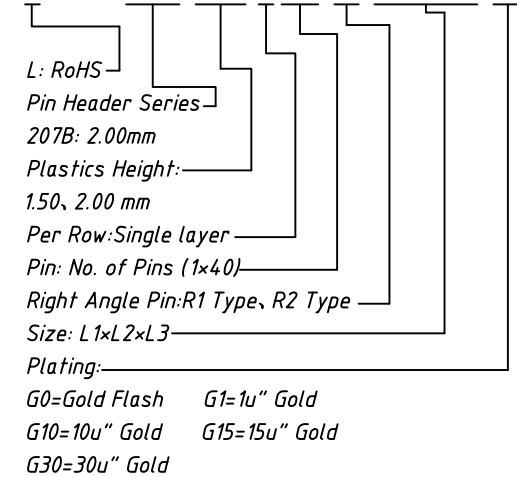
Electrical Characteristics:  
Rated Current: 1.5AMP  
Contact Resistance: 20mΩ Max  
Withstand Voltage: 500V AC/DC  
Insulator Resistance: 1000MΩ Min

Mechanical  
Operating Temperature: -40°C ~ +105°C

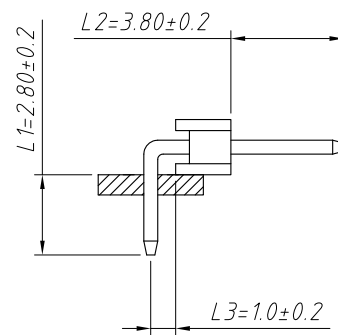


Dimension antitheses list (mm)				
ITEM	L1	L2	L3	Plastic Height
Standard R1	2.80	3.80	1.00	2.00
Standard R2	2.80	3.80	1.00	2.00
Nonstandard	---	---	---	---

Order Information:  
L-KLS1-207B-2.00-1-XX-R1-L1xL2xL3-G0



R1 Type

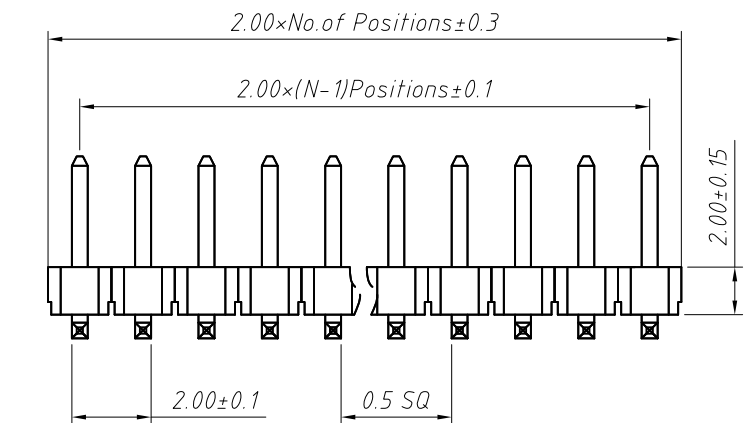
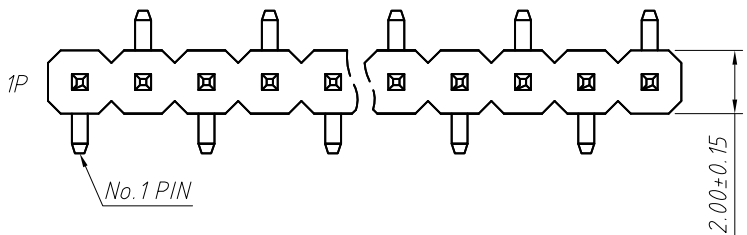
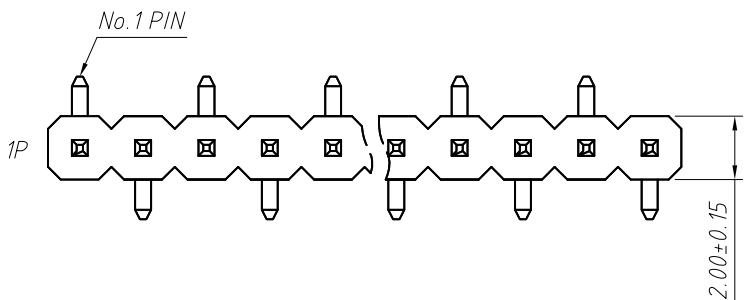


R2 Type

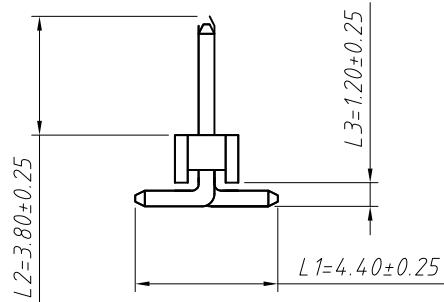
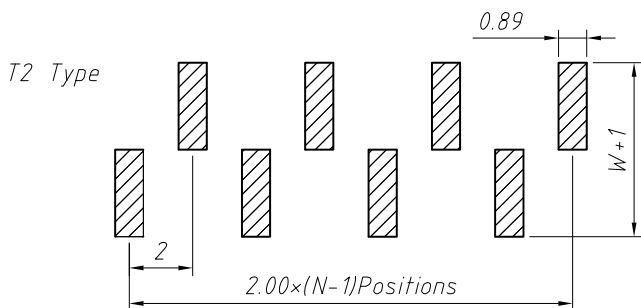
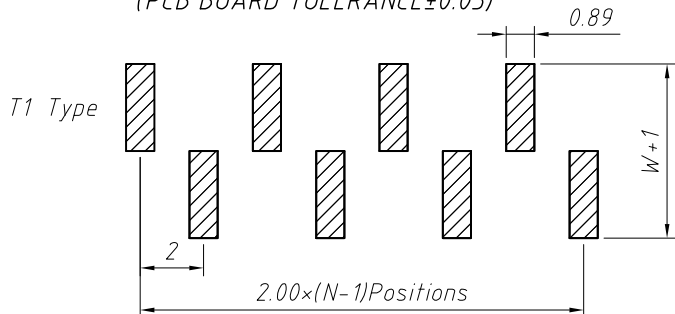
ANGLE TOLERANCE	PROJECTION	Description:	2.00mm Pin Header
±3°		Single layer, Right Angle Pin, 1xN Pin	
GENERAL TOLERANCE	UNITS	mm	KLS P/N: L-KLS1-207B-2.00-1-XX-R1-L1xL2xL3-G0
x.x ±0.30	SHEET SIZE	A4	NingBo KLS ELECTRONIC CO.,L TD.
x.xx ±0.20	Draw:	Daniel	
x.xxx ±0.10	Check:	Daniel	

1 2 3 4 5 6 7 8

RoHS Compliance



Recommended P.C.B Layout (Top Side)  
(PCB BOARD TOLERANCE  $\pm 0.05$ )

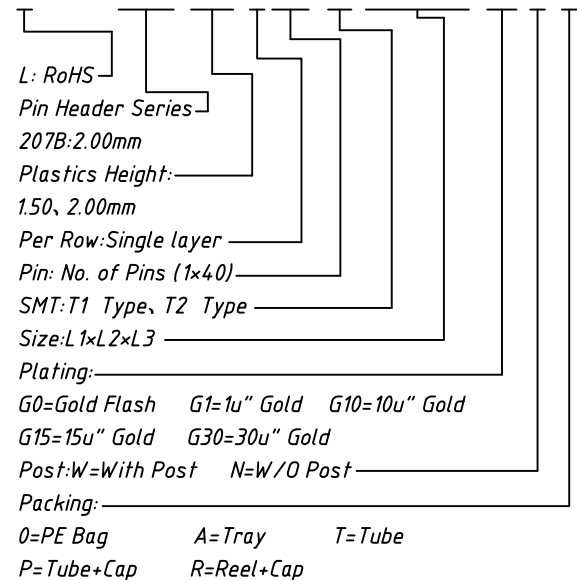


N=W/O Post

**Material:**  
Standard: PA6T  
Contact: Brass  
Insulator: Polyester, UL 94V-0  
**Electrical Characteristics:**  
Rated Current: 1.5AMP  
Contact Resistance: 20m $\Omega$  Max  
Withstand Voltage: 500V AC/DC  
Insulator Resistance: 1000M $\Omega$  Min  
**Mechanical**  
Operating Temperature:  $-40^{\circ}\text{C} \sim +105^{\circ}\text{C}$   
Max. Processing Temp:  $230^{\circ}\text{C}$  for 30-60 seconds  
( $260^{\circ}\text{C}$  for 5 seconds)

Order Information:

L-KLS1-207B-2.00-1-XX-T1-L1xL2xL3-G0-N-R



Dimension antitheses list (mm)

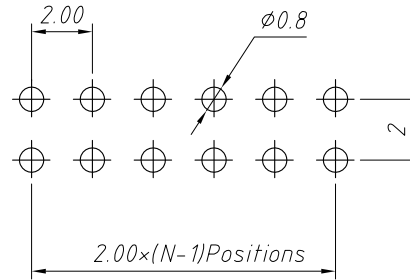
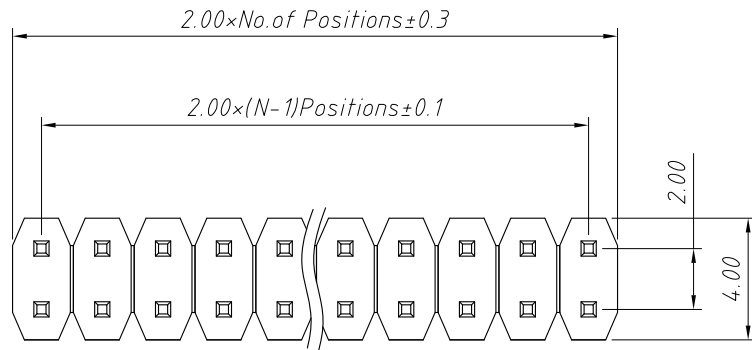
ITEM	L1	L2	L3	Plastic Height
Standard	4.40	3.80	1.20	2.00
Nonstandard	---	---	---	---

ANGLE TOLERANCE	PROJECTION	Description:	2.00mm Pin Header Single layer, SMT, 1xN Pin	
$\pm 3^{\circ}$				
GENERAL TOLERANCE	UNITS	mm	KLS P/N:	L-KLS1-207B-2.00-1-XX-T1-L1xL2xL3-G0-N-R
x.x	$\pm 0.30$	SHEET SIZE	A4	
x.xx	$\pm 0.20$	Draw:	Daniel	2018-07-10
x.xxx	$\pm 0.10$	Check:	Daniel	2018-07-10



NingBo KLS ELECTRONIC CO., L TD.

RoHS Compliance

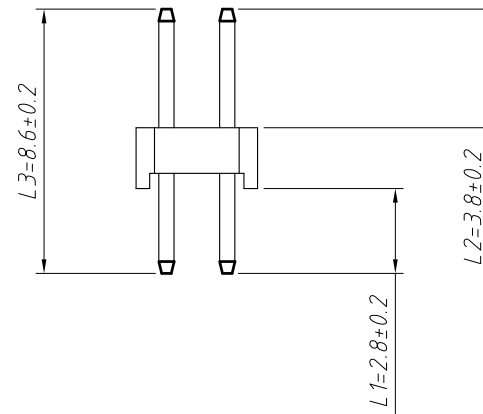
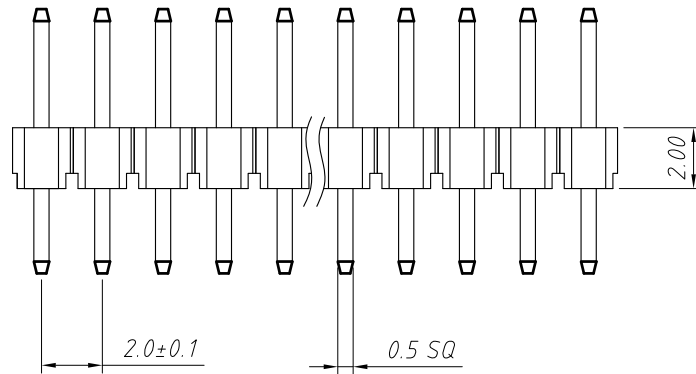


Recommended P.C.B Hole Layout

**Material:**  
**Standard:** PA6T  
**Contact:** Brass  
**Insulator:** Polyester, UL94V-0

**Electrical Characteristics:**  
**Rated Current:** 1.5AMP  
**Contact Resistance:** 20mΩ Max  
**Withstand Voltage:** 500V AC/DC  
**Insulator Resistance:** 1000MΩ Min

**Mechanical**  
**Operating Temperature:** -40°C ~ +105°C  
**Max. Processing Temp:** 240°C for 30-60 seconds  
 (260°C for 10 seconds)



**Order Information:**

L-KLS1-207B-2.00-2-XX-S-L1xL2xL3-G0

L: RoHS  
 Pin Header Series  
 207B: 2.00mm  
 Plastics Height:  
 1.50, 2.00 mm  
 Per Row: Double layer  
 Pin: No. of Pins (2 ~ 40)  
 Type: Straight Pin  
 Size: L1xL2xL3  
 Plating:  
 G0=Gold Flash    G1=1u" Gold  
 G10=10u" Gold    G15=15u" Gold  
 G30=30u" Gold

Dimension antitheses list (mm)

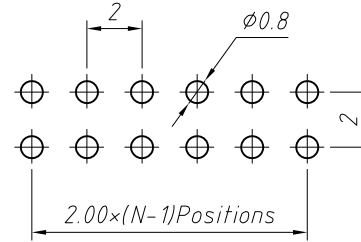
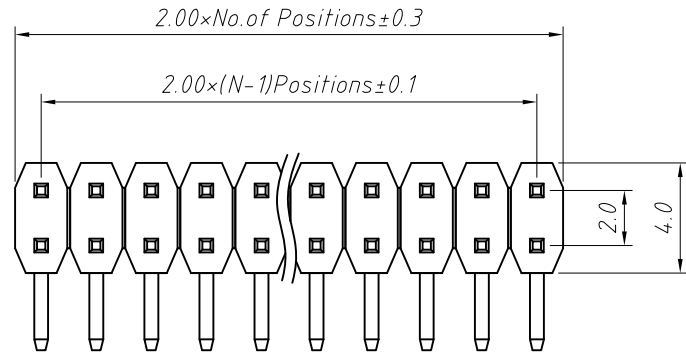
ITEM	L1	L2	L3	Plastic Height
Standard	2.80	3.80	8.60	2.00
Nonstandard	---	---	---	---

ANGLE TOLERANCE	PROJECTION	Description:
±3°		2.00mm Pin Header Double layer, Straight Pin, 2xN Pin
GENERAL TOLERANCE	UNITS	mm
x.x ±0.30	SHEET SIZE	A4
x.xx ±0.20	Draw:	Daniel 2018-07-10
x.xxx ±0.10	Check:	Daniel 2018-07-10



NingBo KLS ELECTRONIC CO.,L TD.

1 RoHS Compliance

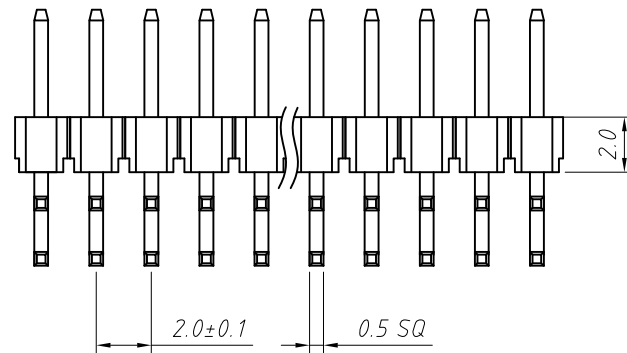


Recommended P.C.B Hole Layout

Material:  
Standard:PBT  
Contact:Brass  
Insulator:Polyester,UL 94 V-0

Electrical Characteristics:  
Rated Current: 1.5AMP  
Contact Resistance: 20mΩ Max  
Withstand Voltage: 500V AC/DC  
Insulator Resistance: 1000MΩ Min

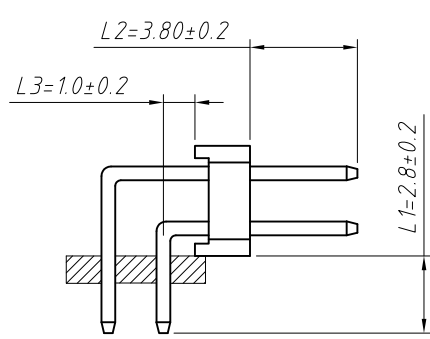
Mechanical  
Operating Temperature: -40°C ~ +105°C



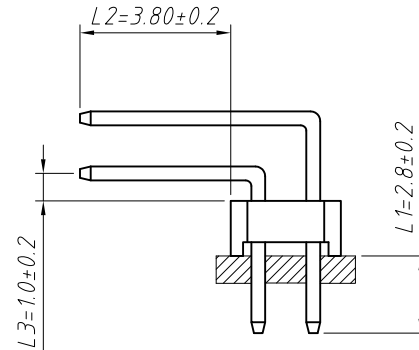
Dimension antitheses list (mm)				
ITEM	L1	L2	L3	Plastic Height
Standard	2.80	3.80	1.00	2.00
Nonstandard	---	---	---	---

Order Information:  
L-KLS1-207B-2.00-2-XX-R1-L1xL2xL3-G0

L: RoHS  
Pin Header Series  
207B: 2.00mm  
Plastics Height:  
1.50, 2.00 mm  
Per Row:Double layer  
Pin: No. of Pins (2~80)  
Right Angle Pin:R1 Type, R2 Type  
Size: L1xL2xL3  
Plating:  
G0=Gold Flash G1=1u" Gold  
G10=10u" Gold G15=15u" Gold  
G30=30u" Gold



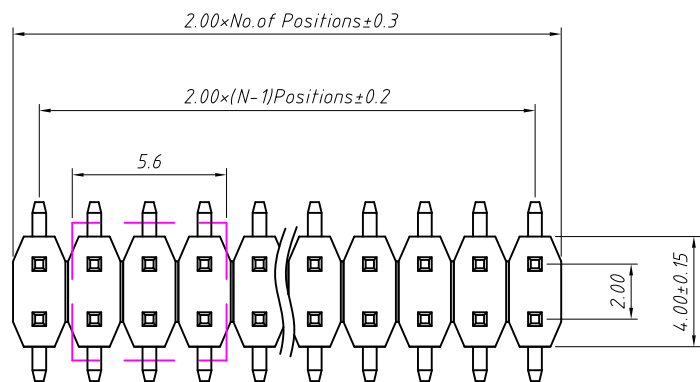
R1 Type



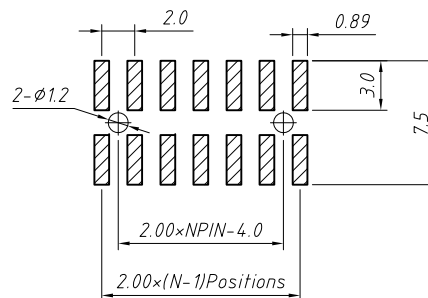
R2 Type

ANGLE TOLERANCE	PROJECTION	Description:	2.00mm Pin Header	
±3°		Double layer,Right Angle Pin,2xN Pin		
GENERAL TOLERANCE	UNITS	mm	KLS P/N:	L-KLS1-207B-2.00-2-XX-R-L1xL2xL3-G0
x.x ±0.30	SHEET SIZE	A4		NingBo KLS ELECTRONIC CO.,LTD.
x.xx ±0.20	Draw:	Daniel	2018-07-10	
x.xxx ±0.10	Check:	Daniel	2018-07-10	

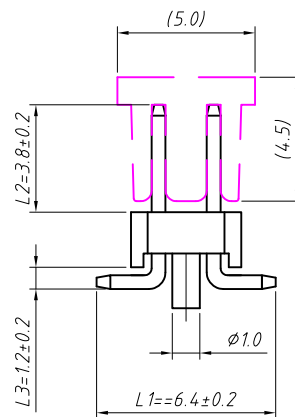
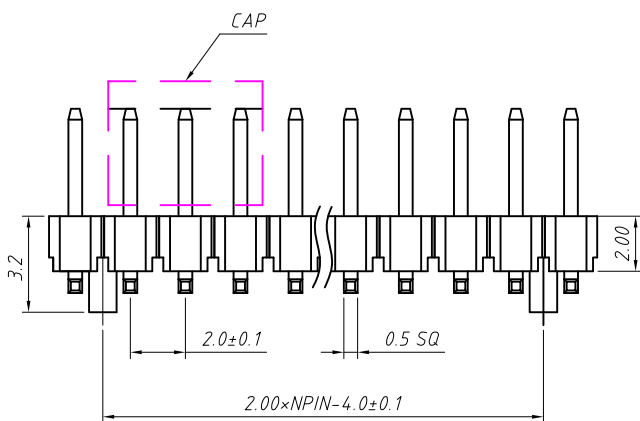
1  
RoHS Compliance



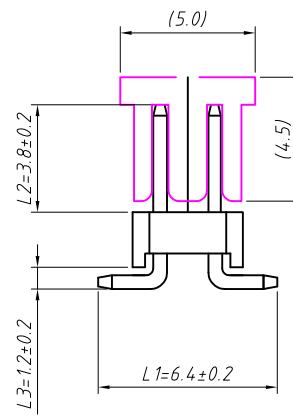
Recommended P.C.B Hole Layout



Material:  
Standard:PA6T  
Contact: Brass  
Insulator:Polyester,UL94V-0  
Electrical Characteristics:  
Rated Current: 1.5AMP  
Contact Resistance: 20mΩ Max  
Withstand Voltage: 500V AC/DC  
Insulator Resistance: 1000MΩ Min  
Mechanical  
Operating Temperature: -40°C ~ +105°C  
Max.Processing Temp:240°C for 30-60 seconds  
(260°C for 10 seconds)



T3=With Post



T=W/O Post

Order Information:

L-KLS1-207B-2.00-2-XX-T-L1xL2xL3-G0-R

L: RoHS  
Pin Header Series-  
207B: 2.00mm  
Plastics Height:  
1.50, 2.00 mm  
Per Row: Dual Row  
Pin: No. of Pins (02 ~ 80)  
SMT Pin: T3=With Post T=W/O Post  
Size: L1xL2xL3  
Plating:  
G0=Gold Flash G1=1u" Gold G10=10u" Gold  
G15=15u" Gold G30=30u" Gold  
Packing:  
0=PE Bag A=Tray T=Tube  
P=Tube+Cap R=Reel+Cap

Dimension antitheses list (mm)

ITEM	L1	L2	L3	Plastic Height
Standard	6.40	3.80	1.20	2.00
Nonstandard	---	---	---	---

ANGLE TOLERANCE	PROJECTION	Description:	2.00mm Pin Header Dual Row, SMT, 2xN Pin	
±3°				
GENERAL TOLERANCE	UNITS	mm	KLS P/N:	L-KLS1-207B-2.00-2-XX-T-L1xL2xL3-G0-R
x.x ±0.30	SHEET SIZE	A4		
x.xx ±0.20	Draw:	Daniel	2018-07-10	NingBo KLS ELECTRONIC CO.,L TD.
x.xxx ±0.10	Check:	Daniel	2018-07-10	