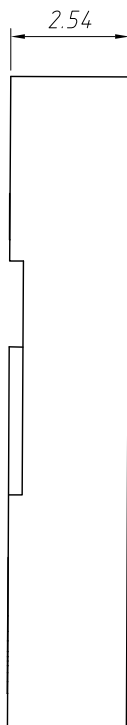
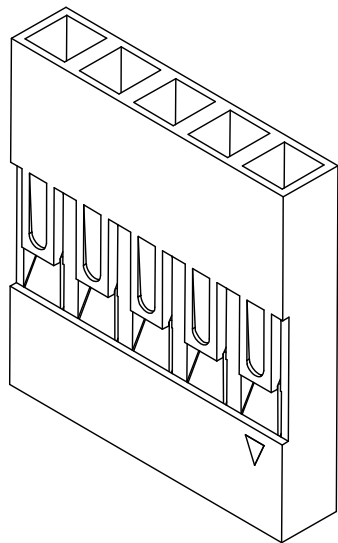
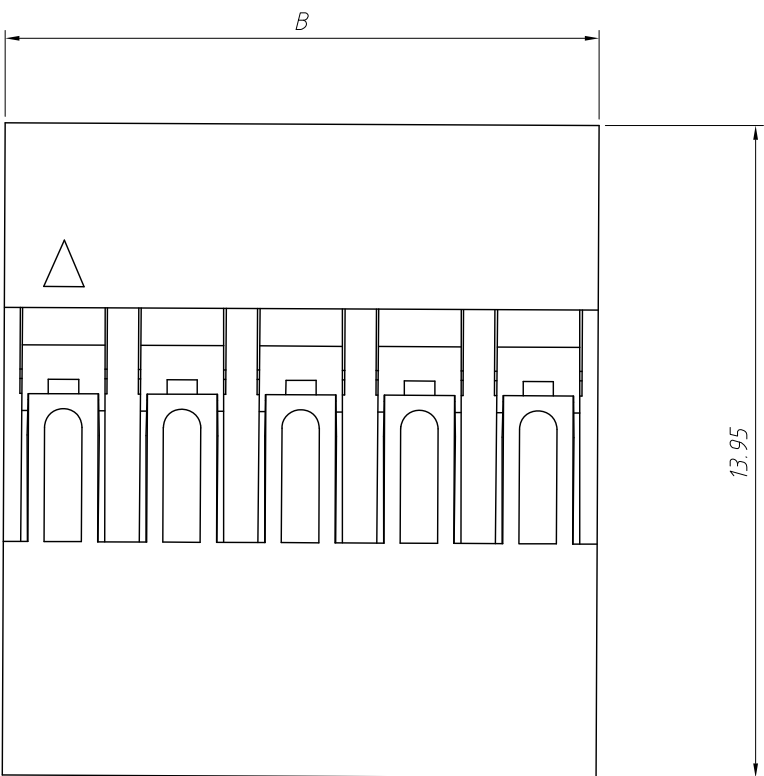
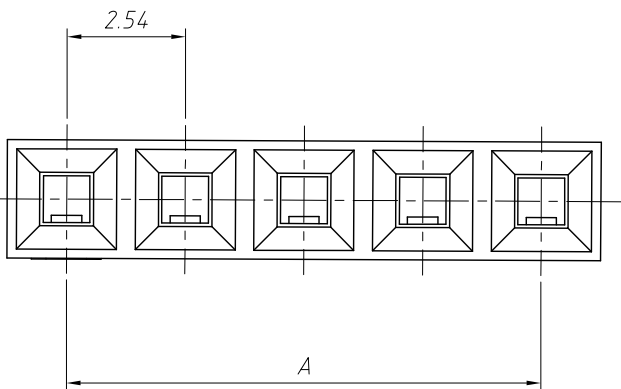


RoHS Compliance



Pin	Dimensions(mm)		Pin	Dimensions(mm)	
	A	B		A	B
02	2.54	5.08	22	53.34	55.88
03	5.08	7.62	23	55.88	58.42
04	7.62	10.16	24	58.42	60.96
05	10.16	12.70	25	60.96	63.50
06	12.70	15.24	26	63.50	66.04
07	15.24	17.78	27	66.04	68.58
08	17.78	20.32	28	68.58	71.12
09	20.32	22.86	29	71.12	73.66
10	22.86	25.40	30	73.66	76.20
11	25.40	27.94	31	76.20	78.74
12	27.94	30.48	32	78.74	81.28
13	30.48	32.02	33	81.28	83.82
14	32.02	35.56	34	83.82	86.36
15	35.56	38.10	35	86.36	88.90
16	38.10	40.64	36	88.90	91.44
17	40.64	43.18	37	91.44	93.98
18	43.18	45.72	38	93.98	96.82
19	45.72	48.26	39	96.82	99.06
20	48.26	50.80	40	99.06	101.60
21	50.80	53.34			

Material:
Housing: PPO, UL 94 V-0, Black

Electrical Characteristics:
Rated Current: 3.0 AMP
Voltage rating: 250V AC, DC
Temperature range: -25°C ~ +85°C
Insulator Resistance: 1000MΩ Min
Withstanding Voltage: 1500V AC/minute
Contact Resistance: 20mΩ Max

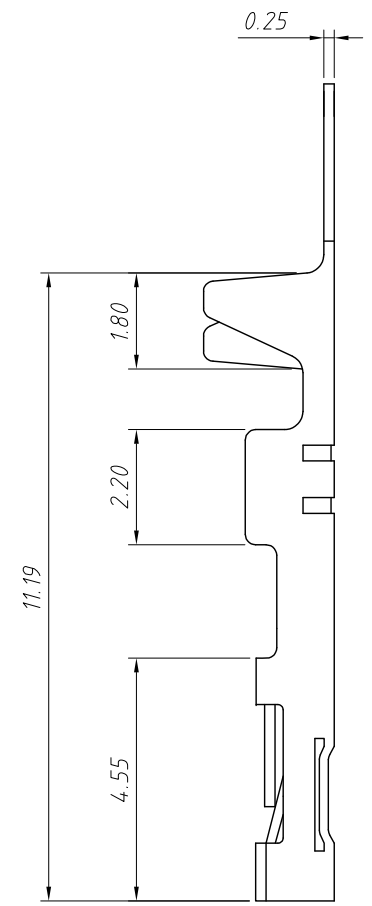
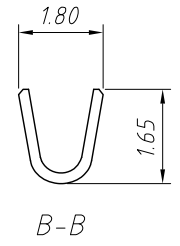
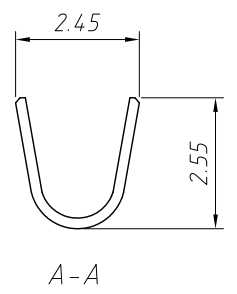
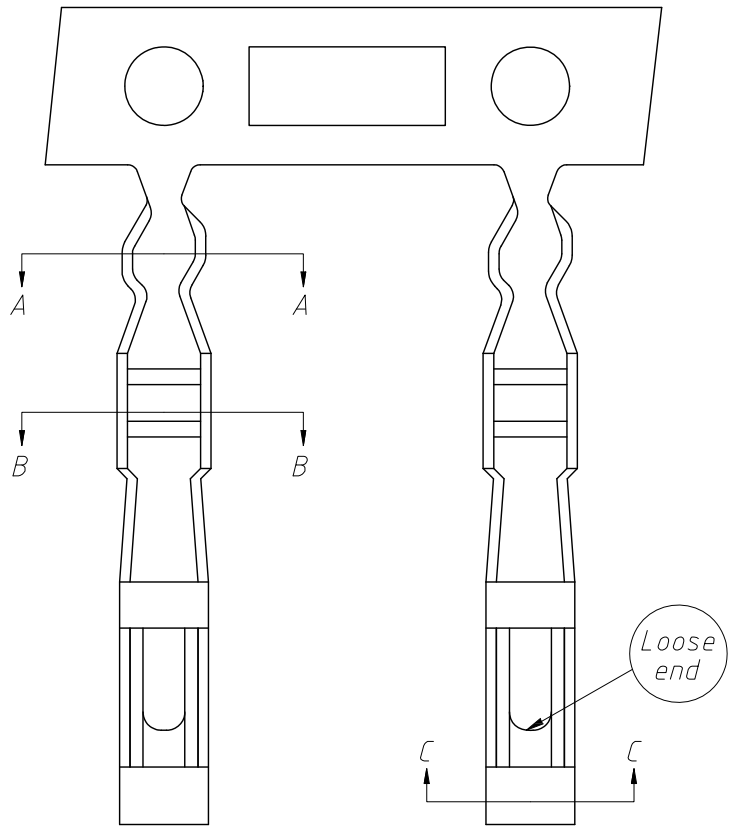
Order Information:
L-KLS1-540A-1×XX-H
L: RoHS
Pitch: 2.54mm
Row:
1-Single layer
2-Double layer
XX-No. of 02 ~ 40 pins
Type:
H-Housing T-Terminal

ANGLE TOLERANCE	PROJECTION	Description:
±3°		2.54mm pitch Wire To Board Connectors
GENERAL TOLERANCE	UNITS	mm
x.x ±0.30	SHEET SIZE	A4
x.xx ±0.20	Draw:	Daniel 2021-01-11
x.xxx ±0.10	Check:	Daniel 2021-01-11


NingBo KLS ELECTRONIC CO.,L TD.

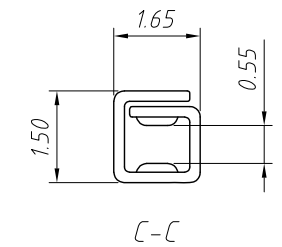
L-KLS1-540A-1×XX-H

1
RoHS Compliance



Material:
 Terminal: Phosphor Bronze / Brass
 Plating: Tin plated over Gold-Flash
 Applicable wires: AWG #22 ~ # 26
 Insulation O.D: 1.63mm
 Qty/reel: 10000 pcs

Electrical Characteristics:
 Rated Current: 3.0AMP
 Voltage rating: 250V AC,DC
 Temperature range: -25°C ~ + 85°C
 Insulator Resistance: 1000MΩ Min
 Withstanding Voltage: 1500V AC/minute
 Contact Resistance: 20mΩ Max



Order Information:
 L-KLS1-540A-T
 L: RoHS
 Pitch: 2.54mm
 Type: H-Hosing T-Terminal

ANGLE TOLERANCE	PROJECTION	Description:
±3°		2.54mm pitch Wire To Board Connectors
GENERAL TOLERANCE	UNITS	KLS P/N:
x.x ±0.30	SHEET SIZE	L-KLS1-540A-T
x.xx ±0.20	Draw:	
x.xxx ±0.10	Check:	NingBo KLS ELECTRONIC CO.,L TD.
		2021-01-11
		2021-01-11