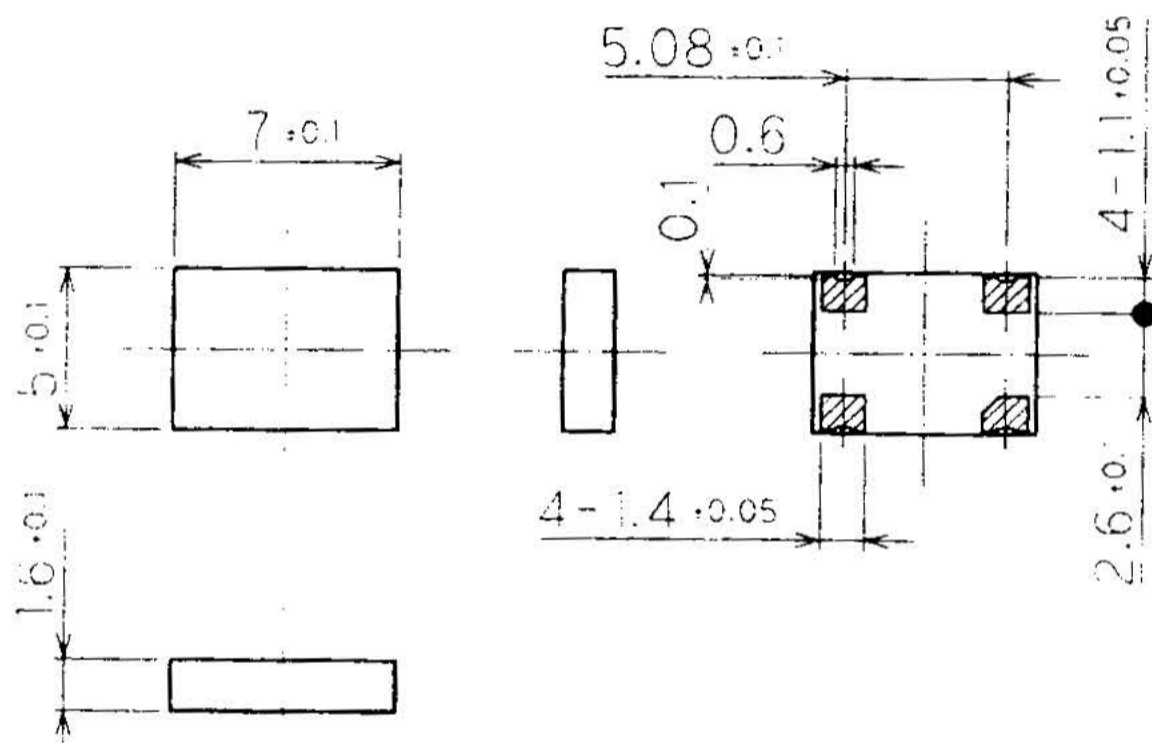
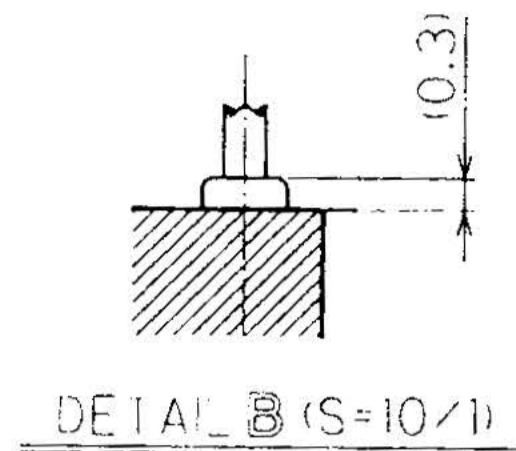
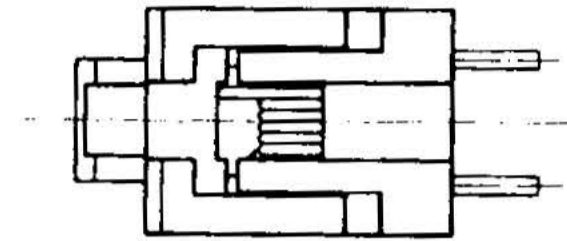
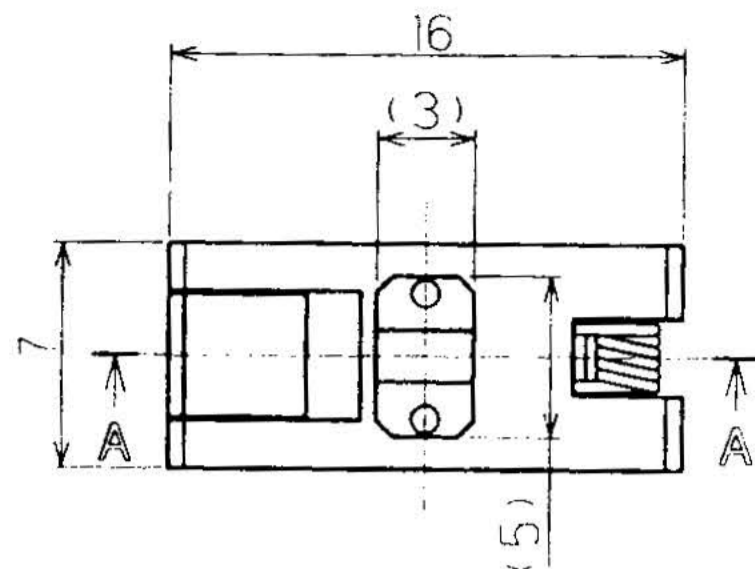
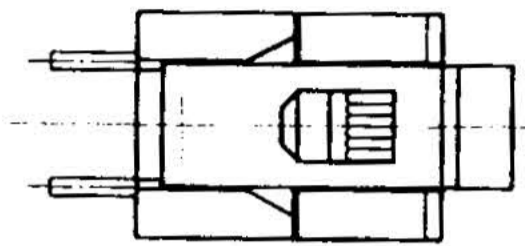
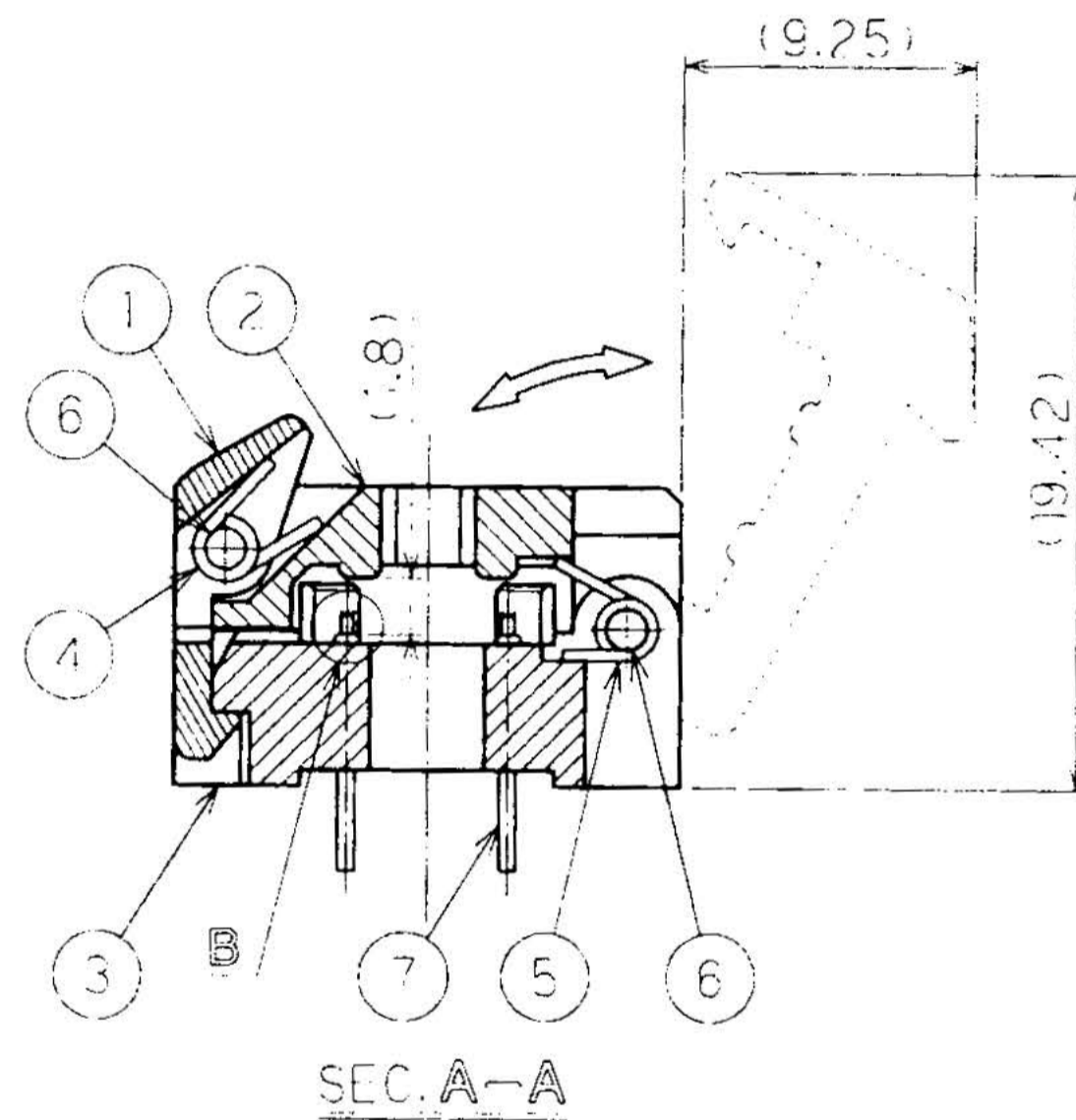
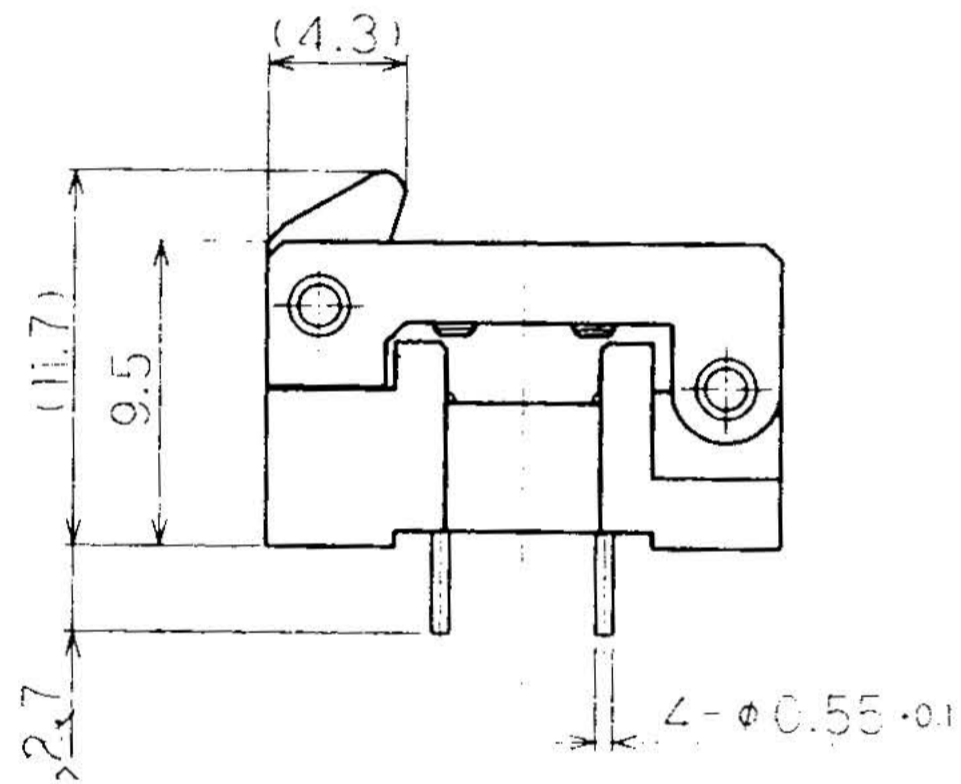


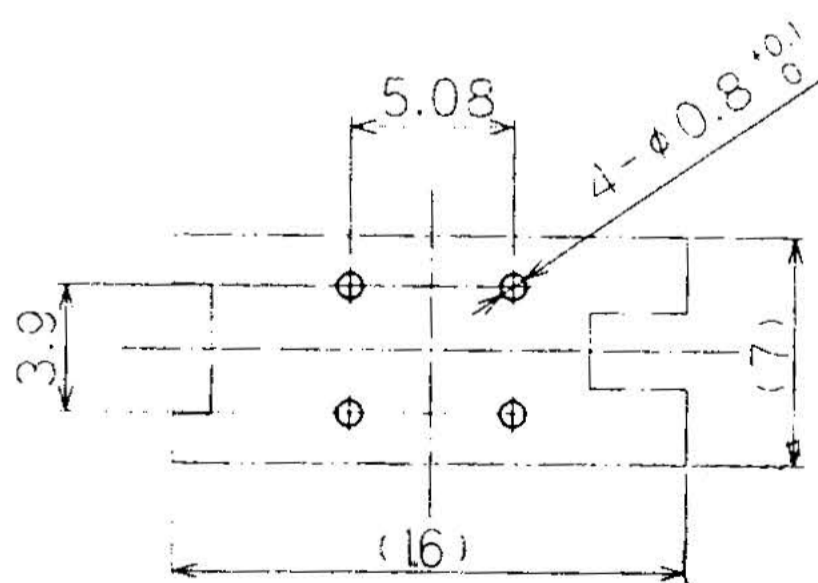
CRYSTAL INSERT PART DETAIL



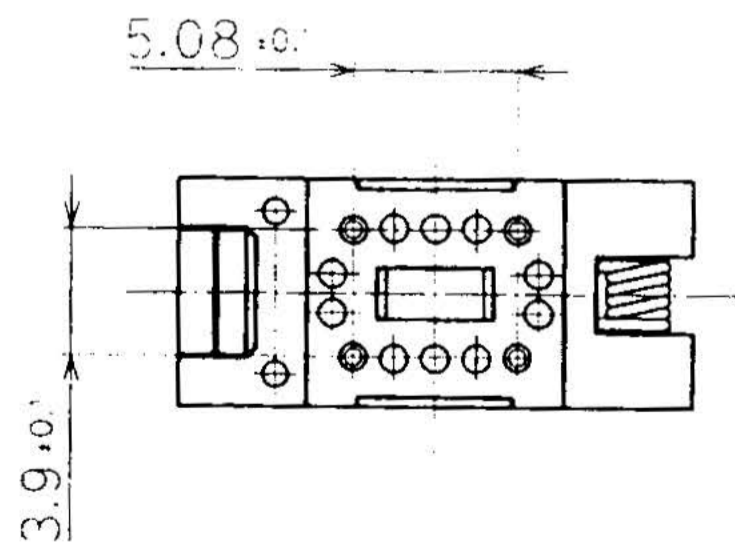
Recommended Package



SEC. A-A



BOARD FOOTPRINT (TOLERANCE: ±0.05)
VIEW FROM TOP SIDE. (SCALE: 1/1)



Socket QC-7050-1,6-4P