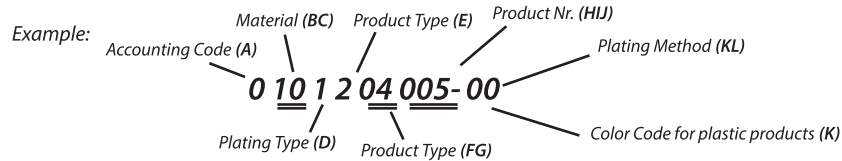


The explanations of the digits are shown below

KEY PRODUCT CODES

The products codes are expressed by a 10-digit number as shown in the example below. The explanations of the digits are shown below.



EXPLANATIONS

A- Accounting Department Code: Code for our accounting department.

BC- Material:

- 10- Brass (CuZn30)
- 11- Brass (CuZn36)
- 12- Brass (CuZn37)
- 20- Copper (E-Cu)
- 21- CuNiSi
- 22- CuFe
- 25- German Silver (CuNiZn)
- 30- Phospor Bronze (CuSn6)
- 31- Phospor Bronze (CuSn4)
- 32- Phospor Bronze+Stainless Steel (CuSn4+X10CrNi)
- 33- Phospor Bronze+Stainless Steel (CuSn6+X10CrNi)
- 34- CuSn0,1
- 41- Stainless Steel (X5CrNi)
- 50- DC
- 70- Plastic (PA6.6)-Flammability Class V2
- 72- Plastik (PVC)
- 73- Plastik (PE-I 20)
- 78- Plastic (PA6)-Flammability Class V2 V2-NF
- 79- PBT
- 83- PA6.6 (GF) %20
- 84- PA6.6 (GF) %13
- 90- PA6.6 (GF) %50
- 93- PPS (GF) %65

FG- Product Type:

- 01- Faston Type Tabs
- 02- Tubular Type Plug Terminals
- 03- Special Faston Tabs
- 04- Faston Type Terminals
- 05- Tubular Type Sockets
- 06- Special Type Terminals
- 07- Ring Terminal
- 08- Spade Tongue Terminal
- 09- Ring Tongue Terminal
- 10- End Splices
- 11- Splices with Insulation Barrel
- 12- Hat-Mate
- 40- Terminal Housing (Male)
- 41- Terminal Housing (Female)
- 42- Terminal Sleeves
- 43- Sleeved Faston Tabs
- 44- PCB Connector
- 80- Other Product

D- Plating Type:

- 0-Unplated
- 1- Tin Plated Bright
- 2- Nickel Plated
- 3- Silver Plated
- 4- Copper+Nickel Plated
- 5- Copper Plated
- 6- Tin Plated Matte
- 7- Other
- 8- Nickel+Tin Plated Bright
- 9- Nickel+Tin Plated Matte

KL- Plating Method:

- 00- Pre-Tin

K- Color Code (For Plastics)

- 0- Natural
- 1- White
- 2- Black
- 3- Red
- 4- Yellow
- 5- Green
- 6- Blue
- 7- Grey
- 8- Brown
- 9- Purple
- 10- Orange
- 11- Copper Tone

E- Product Type:

- 1- Reel
- 2- Single
- 3- Semi-finished Product
- 4- Reverse Winding

HIJ Product Number:

- 001
- 002
- 003
-
-

KEY TO TERMINAL DESCRIPTION

Terminals are described as shown in the example below. The explanations of the digits are shown below.

Example: For 6.3 Faston type receptacles:

Explanations:

(A) - Nominal value for female terminals

NOMINAL VALUE FOR FEMALE TERMINALS			
CODE	NOM.	MALE	FEMALE
(A)	0.50	0.50	0.40
(B)	0.80	0.80	0.70
(C)	0.55	0.80	0.55
(D)	0.30	0.40	0.30
(E)	0.60	0.80	0.60
(F)	0.70	0.80	0.70
(G)	0.75	0.85	0.75
(H)	0.65	0.80	0.65
(S)	0.80	0.85	0.80
(N)	0.25	0.50	0.25
(P)	0.50	0.50	0.50
(J)	0.90	1.0	0.90

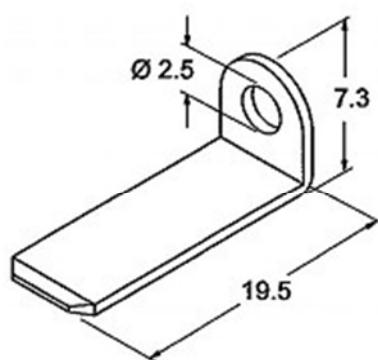
(6.3) - The value in paranthesis is; Tab width for faston terminals (mm)
Nominal value for faston type receptacles (mm)



D- Product Type: D-Single R-Reel Y-Semi-finished Product

P- Material: P-Brass B-Copper M-Stainless-finished Product
F- Phospor Bronze C-DC A-German Silver D-CuFe

K- Plating Type: K- Tin Plated N-Nickel Plated
G-Silver Plated Z-Zinc Plated B-Copper Plated



<i>Description</i>	<i>Product Code</i>	<i>Material</i>	<i>Plating</i>				<i>Material Thickness (mm)</i>	<i>Tab Width Chain</i>
			<i>Unplated</i>	<i>Sn</i>	<i>Ni</i>	<i>Ag</i>		
SFK 36 (6.3) DP	0100201082	CuZn	●	○	○	○	0.80	6.3
SFK 36 (6.3) DPK	0101201082	CuZn	○	●	○	○	0.80	6.3
SFK 36 (6.3) DPG	0103201082	CuZn	○	○	○	●	0.80	6.3
SFK 36 (6.3) DPN	0102201082	CuZn	○	○	●	○	0.80	6.3
SFK 36 (6.3) DF	0300201082	CuSn	●	○	○	○	0.80	6.3
SFK 36 (6.3) DFK	0301201082	CuSn	○	●	○	○	0.80	6.3
SFK 36 (6.3) DFG	0303201082	CuSn	○	○	○	●	0.80	6.3
SFK 36 (6.3) DFN	0302201082	CuSn	○	○	●	○	0.80	6.3
SFK 36 (6.3) DC	0500201082	St	●	○	○	○	0.80	6.3
SFK 36 (6.3) DCK	0501201082	St	○	●	○	○	0.80	6.3
SFK 36 (6.3) DCN	0502201082	St	○	○	●	○	0.80	6.3
SFK 36 (6.3) DS	0400201082	DKP	●	○	○	○	0.80	6.3
SFK 36 (6.3) DM	0410201082	X5CrNi	●	○	○	○	0.80	6.3