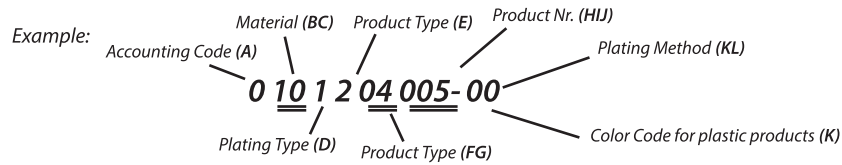


## The explanations of the digits are shown below

### KEY PRODUCT CODES

The products codes are expressed by a 10-digit number as shown in the example below. The explanations of the digits are shown below.



### EXPLANATIONS

**A- Accounting Department Code:** Code for our accounting department.

#### BC- Material:

- 10- Brass (CuZn30)
- 11- Brass (CuZn36)
- 12- Brass (CuZn37)
- 20- Copper (E-Cu)
- 21- CuNiSi
- 22- CuFe
- 25- German Silver (CuNiZn)
- 30- Phospor Bronze (CuSn6)
- 31- Phospor Bronze (CuSn4)
- 32- Phospor Bronze+Stainless Steel (CuSn4+X10CrNi)
- 33- Phospor Bronze+Stainless Steel (CuSn6+X10CrNi)
- 34- CuSn0,1
- 41- Stainless Steel (X5CrNi)
- 50- DC
- 70- Plastic (PA6.6)-Flammability Class V2
- 72- Plastik (PVC)
- 73- Plastik (PE-I 20)
- 78- Plastic (PA6)-Flammability Class V2 V2-NF
- 79- PBT
- 83- PA6.6 (GF) %20
- 84- PA6.6 (GF) %13
- 90- PA6.6 (GF) %50
- 93- PPS (GF) %65

#### FG- Product Type:

- 01- Faston Type Tabs
- 02- Tubular Type Plug Terminals
- 03- Special Faston Tabs
- 04- Faston Type Terminals
- 05- Tubular Type Sockets
- 06- Special Type Terminals
- 07- Ring Terminal
- 08- Spade Tongue Terminal
- 09- Ring Tongue Terminal
- 10- End Splices
- 11- Splices with Insulation Barrel
- 12- Hat-Mate
- 40- Terminal Housing (Male)
- 41- Terminal Housing (Female)
- 42- Terminal Sleeves
- 43- Sleeved Faston Tabs
- 44- PCB Connector
- 80- Other Product

#### D- Plating Type:

- 0-Unplated
- 1- Tin Plated Bright
- 2- Nickel Plated
- 3- Silver Plated
- 4- Copper+Nickel Plated
- 5- Copper Plated
- 6- Tin Plated Matte
- 7- Other
- 8- Nickel+Tin Plated Bright
- 9- Nickel+Tin Plated Matte

#### KL- Plating Method:

- 00- Pre-Tin

#### K- Color Code (For Plastics)

- 0- Natural
- 1- White
- 2- Black
- 3- Red
- 4- Yellow
- 5- Green
- 6- Blue
- 7- Grey
- 8- Brown
- 9- Purple
- 10- Orange
- 11- Copper Tone

#### E- Product Type:

- 1- Reel
- 2- Single
- 3- Semi-finished Product
- 4- Reverse Winding

#### HIJ Product Number:

- 001
- 002
- 003
- ....
- ....

### KEY TO TERMINAL DESCRIPTION

Terminals are described as shown in the example below. The explanations of the digits are shown below.

Example: For 6.3 Faston type receptacles:

#### Explanations:

(A) - Nominal value for female terminals

NOMINAL VALUE FOR FEMALE TERMINALS			
CODE	NOM.	MALE	FEMALE
(A)	0.50	0.50	0.40
(B)	0.80	0.80	0.70
(C)	0.55	0.80	0.55
(D)	0.30	0.40	0.30
(E)	0.60	0.80	0.60
(F)	0.70	0.80	0.70
(G)	0.75	0.85	0.75
(H)	0.65	0.80	0.65
(S)	0.80	0.85	0.80
(N)	0.25	0.50	0.25
(P)	0.50	0.50	0.50
(J)	0.90	1.0	0.90

(6.3) - The value in paranthesis is; Tab width for faston terminals (mm)  
Nominal value for faston type receptacles (mm)

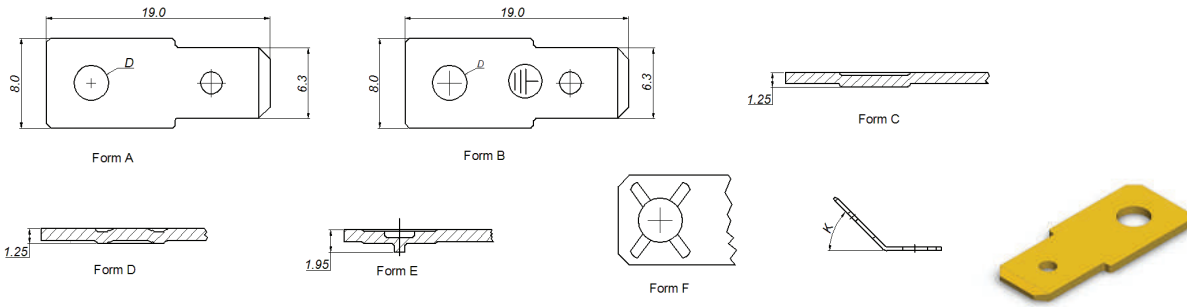


**D- Product Type:** D-Single R-Reel Y-Semi-finished Product

**P- Material:** P-Brass B-Copper M-Stainless-finished Product  
F- Phosphor Bronze C-DC A-German Silver D-CuFe

**K- Plating Type:** K- Tin Plated N-Nickel Plated  
G-Silver Plated Z-Zinc Plated B-Copper Plated

Faston Male Terminals



6.3 mm

Ürün Adı Product Name	Ürün Kodu Product Code	Malzeme Kalınlığı (mm) Material Thickness (mm)	D (mm)	K	Form	Malzeme / Material			Adet / SPQ Dökme / Loose
						CuZn	DC	DM	
SFK1-00 (6.3)	0XXXX01042	0,80	-	-	A	●	●	●	1.000
SFK1-03 (6.3)	0XXXX01046	0,80	Ø3,20	-	A	●	●	●	1.000
SFK1-04 (6.3)	0XXXX01085	0,80	Ø4,30	-	A	●	●	●	1.000
SFK1-05 (6.3)	0XXXX01088	0,80	Ø5,30	-	A	●	●	●	1.000
SFK1-04-T (6.3)	0XXXX01126	0,80	Ø4,30	-	B	●	●	●	1.000
SFK1-04 ZML (6.3)	0XXXX01135	0,80	Ø4,30	-	F	●	●	-	1.000
SFK1-PAT (6.3)	0XXXX01091	0,80	-	-	C	●	●	-	1.000
SFK1-PAT1 (6.3)	0XXXX01097	0,80	-	-	D	●	●	-	1.000
SFK1-00-45 (6.3)	0XXXX01043	0,80	-	45°	A	●	●	●	1.000
SFK1-03-45 (6.3)	0XXXX01044	0,80	Ø3,20	45°	A	●	●	●	1.000
SFK1-04-45 (6.3)	0XXXX01089	0,80	Ø4,30	45°	A	●	●	●	1.000
SFK1-05-45 (6.3)	0XXXX01086	0,80	Ø5,30	45°	A	●	●	●	1.000
SFK1-04-45-T (6.3)	0XXXX01165	0,80	Ø4,30	45°	B	●	●	●	1.000
SFK1-PAT-45 (6.3)	0XXXX01092	0,80	-	45°	C	●	●	-	1.000
SFK1-PAT1-45 (6.3)	0XXXX01098	0,80	-	45°	D	●	●	-	1.000
SFK1-PAT1-45-T (6.3)	0XXXX01183	0,80	-	45°	B+D	●	●	-	1.000
SFK1-PAT2-45 (6.3)	0XXXX01194	0,80	-	45°	E	●	●	-	1.000
SFK1-00-90 (6.3)	0XXXX01045	0,80	-	90°	A	●	●	●	1.000
SFK1-03-90 (6.3)	0XXXX01083	0,80	Ø3,20	90°	A	●	●	●	1.000
SFK1-04-90 (6.3)	0XXXX01087	0,80	Ø4,30	90°	A	●	●	●	1.000
SFK1-05-90 (6.3)	0XXXX01090	0,80	Ø5,30	90°	A	●	●	●	1.000
SFK1-PAT-90 (6.3)	0XXXX01093	0,80	-	90°	C	●	●	-	1.000
SFK1-PAT1-90 (6.3)	0XXXX01099	0,80	-	90°	D	●	●	-	1.000
SFK1-PAT2-90 (6.3)	0XXXX01103	0,80	-	90°	E	●	●	-	1.000

- Standard Part
- \* Available on request

Kaplama / Plating		
Sn	Ni	Ag
✓	✓	✓