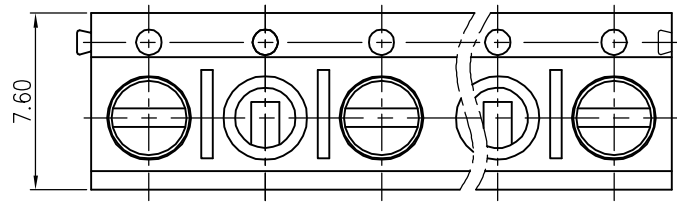


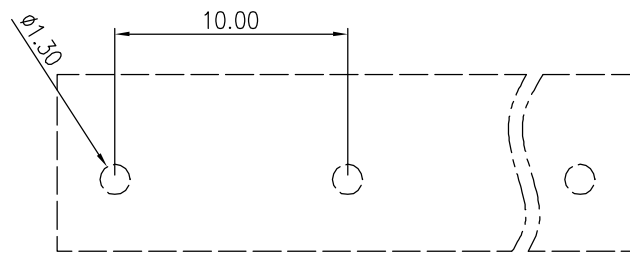
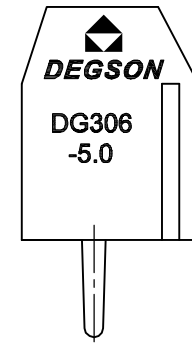
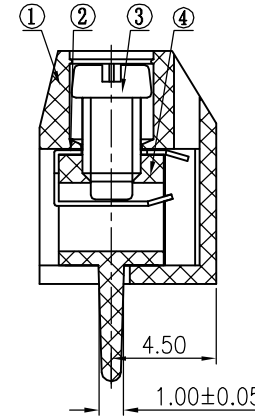
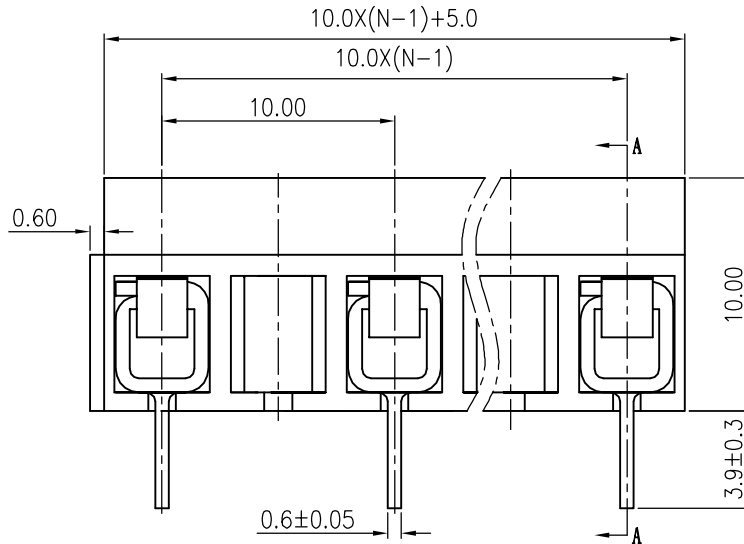
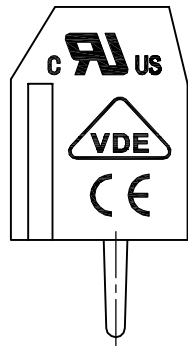
REVISION RECORD				
REV	ECN	DESCRIPTION	DRFT	DATE
△		Drawing Revise	Haoyh	03/17/06
△		增加VDE、CE标志	LJH	12/03/07
△		修改参数	LJH	03/18/09
△	09-0138	修改视图	LJH	11/20/09



Notes:

1. Pitch: 10.0mm , Poles: 2-XXP
2. Rated voltage/current: UL 300V/10A
VDE 250V/15A
3. Operation temperatures: -30°C ~ +120°C
4. Withstanding Voltage: AC2000V/1Min
5. Insulation Resistance: 5000MΩ / DC1000V
6. Wire Range: 22~14AWG, 1.5mm² △
7. Max. Torque Value: M2. 5, 4. 08kgf. cm
8. Undimensioned Tolerances:

Pitch range in mm		Nominal dimension range in mm						
to 6	over 6 to 10	over 10 to 24	over 30 to 60	over 60 to 100	over 100 to 150	∩		
±0.10	±0.15	±0.25	±0.2	±0.3	±0.5	±0.7	±1.0	0.05/0.10



4	DG306-pin header	4006B00020 (H)	XX	Brass	SnCe
3	DG301-Screws	S000001420 (H)	XX	Steel	Cr ³⁺ Zn
2	DG306-spring	X000000160 (H)	XX	Stainless steel	
1	DG306-5.0 Housing	4006A0Y (2XX-1) A (H)	1	PBT	UL94V-0
ITEM	NAME OF PART	NO. OF PART	Q'TY	MATERIAL	NOTES

TOLERANCES EXCEPT AS NOTED MM .0 ± ± .00 ± ± .000 ± ±		DFTO Home DATE 02/09/06 CHKD DATE MFO DATE APPVL DATE		宁波高正电子有限公司 DEGSON ELECTRONICS CO., LTD	
ANGLES ± 1° THIRD ANGLE PROJECTION		G.E : FINISH : SCALE : 1:1		NAME DG306-5.0-XXP-2Y-00A(H) DRAWING NO. DG306-5.0-E04 /PART NO.	
DO NOT SCALE DRAWING			SHEET 1 OF 1		